

PARTS LIST

[TH-A5R]

* All printed circuit boards and its assemblies are not available as service parts.

Area suffix

B ----- U.K.
 E ----- Continental Europe
 EN ----- Northern Europe
 EV ----- Eastern Europe
 EE ----- Russia

- Contents -

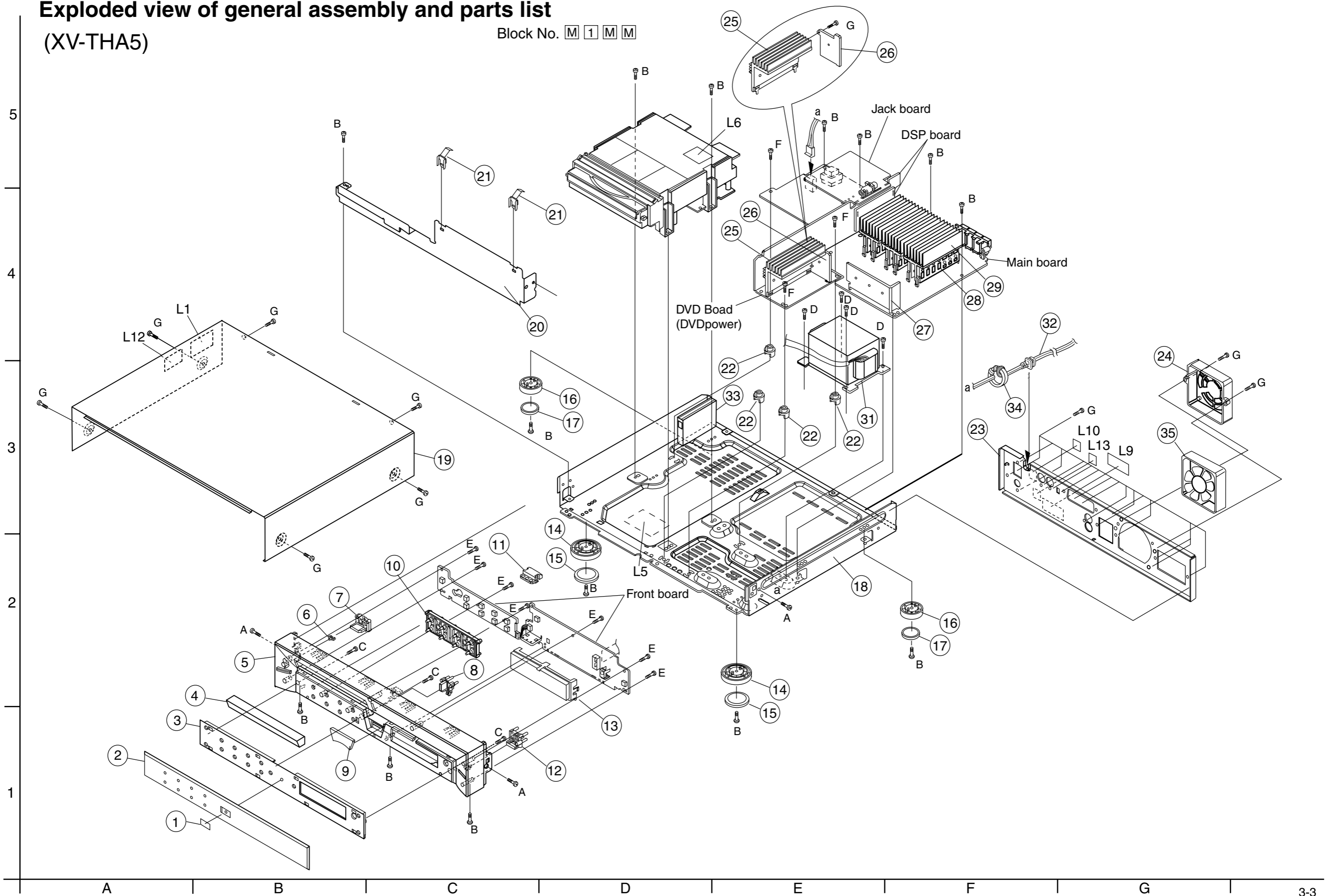
Exploded view of general assembly and parts list (Block No.M1)XV-THA5	3- 3
Exploded view of general assembly and parts list (Block No.M2)SP-WA5	3- 5
DVD mechanism assembly and parts list (Block No.MJ)	3- 6
Electrical parts list (Block No.01~06)	3- 8
Packing materials and accessories parts list (Block No.M3,M5)	3-27

< MEMO >

Exploded view of general assembly and parts list

(XV-THA5)

Block No. M 1 M M



TH-A5R

■ Parts list (General assembly) XV-THA5

Block No. M1MM

△	Item	Parts number	Parts name	Q'ty	Description	Area
	A	6002-000126	SCREW-TAPPING	2	FH 3*10 BLK	
	B	6003-000398	SCREW-TAP TITE	16	BH 2S 3*6 YEL	
	C	6003-000276	SCREW-TAP TITE	27	BH M3*10 YEL	
	D	AH60-10107A	SCREW-TAP TITE	4	M4*6 YEL	
	E	AH60-10020D	SCREW-TAP TITE	9	RH 2.6*8 YEL	
	F	6003-000278	SCREW-TAP TITE	3	BH 3*14 YEL	
	G	AH60-00025A	SCREW-TAP TITE	24	BH 3*10 SILVER	
	1	AH64-01539A	BADGE-DVD	1		
	2	AH64-01540A	WINDOW-FRONT	1		
	3	AH61-00834A	CAP-FRONT	1		
	4	AH64-01453A	DOOR-TRAY	1		
	5	AH64-01452A	CABINET-FRONT	1		
	6	AH67-00129A	LENS-POWER	1		
	7	AH64-01454A	KNOB-POWER	1		
	8	AH64-01455A	KNOB-OPEN	1		
	9	AH67-00128A	LENS-FRONT	1		
	10	AH64-01457A	KNOB-FUNCTION	1		
	11	AH61-00836A	HOLDER-LED	1		
	12	AH64-01456A	KNOB-PLAY	1		
	13	AH61-00835A	HOLDER-VFD	1		
	14	AH61-00766A	HOLDER-FOOT,F	2		
	15	AH69-00503A	CUSHION-FOOT,F	2		
	16	AH61-00777A	HOLDER-FOOT,B	2		
	17	AH69-00503B	CUSHION-FOOT,B	2		
	18	AH64-01357A	CABINET-BOTTOM	1		
	19	AH64-01358C	CABINET-TOP	1		
	20	AH63-00383A	SHIELD-FRONT	1		
	21	AH63-00388B	SHIELD-TOP	2		
	22	AH61-00774A	HOLDER-PCB	4		
	23	AH64-01359B	CABINET-REAR	1		
	24	AH63-00303A	COVER-FAN	1		
	25	AH62-00051C	HEAT-SINK D	1		
	26	AH62-00051D	HEAT-SINK B	1		
	27	AH62-00052A	HEAT-SINK DIO	1		
	28	AH61-00779A	HOLDER-IC	6		
	29	AH62-00050A	HEAT-SINK M	3		
△	31	AH26-00142C	POWER TRANS	1		
△	32	AH39-00258P	POWER CORD	1		B
△		AH39-00257F	POWER CORD	1		E,EN,EV,EE
	33	AH40-00017A	TUNER PACK	1		B,E,EN,EV
		AH40-00020A	TUNER PACK	1		EE
	34	3301-001525	FERRITE CORE	1		
	35	AH31-00029A	MOTOR FAN	1		
	L 1	AH68-50482B	LABEL-CLASS 1	1		
	L 5	AH68-00967A	LABEL-DTS	1		
	L 6	AH68-50275D	STICKER-CD	1		
	L 9	AH68-00989E	LABEL-RATING	1		EE
		AH68-00989C	LABEL-RATING	1		B

TH-A5R

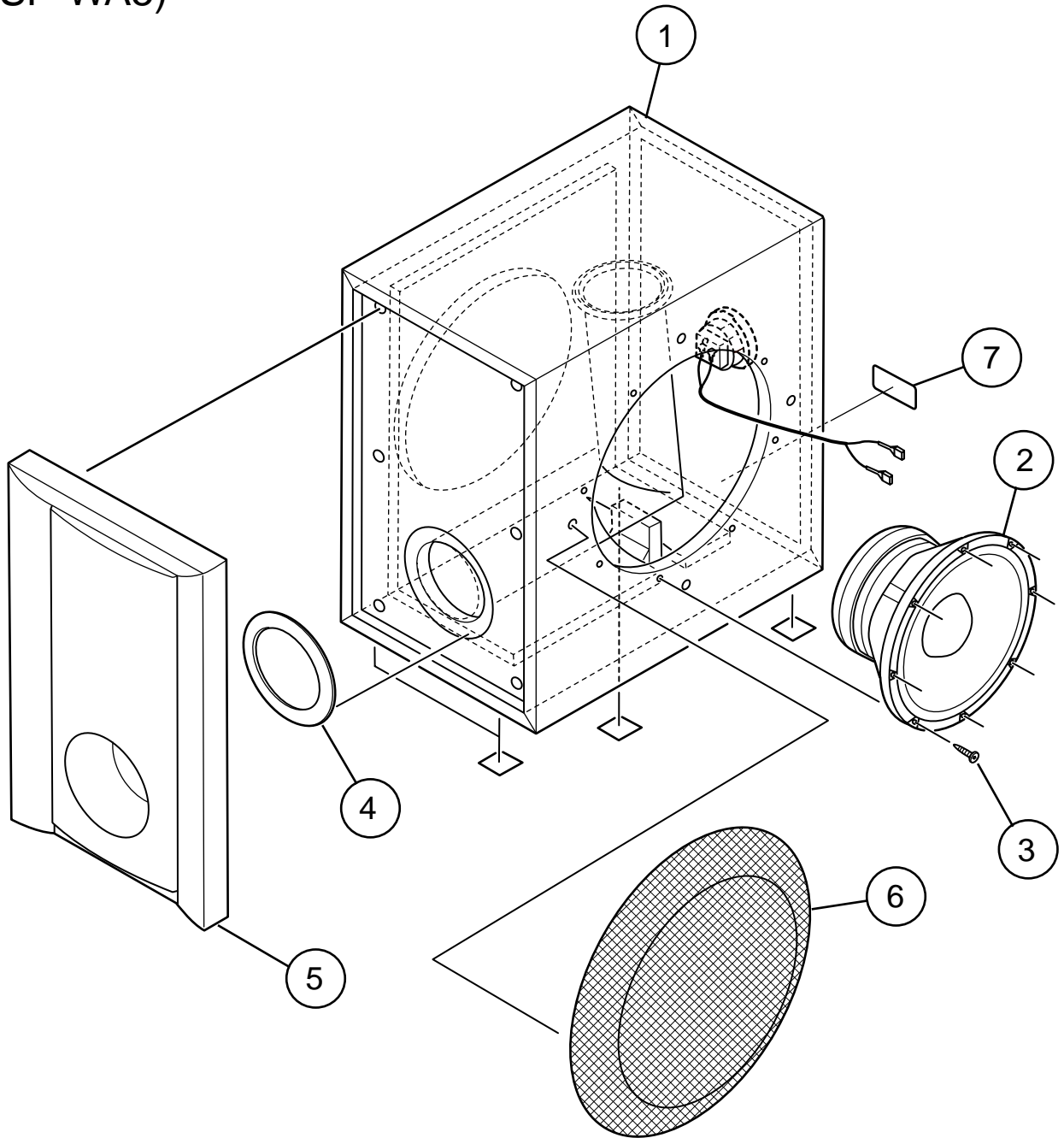
■ Parts list (General assembly) XV-THA5

Block No. M1MM

△	Item	Parts number	Parts name	Q'ty	Description	Area
	L 9	AH68-00989D	LABEL-RATING	1		E,EN,EV
	L 10	AH68-00093G	LABEL	1		B,E,EN,EV
		AH68-00093N	LABEL	1		EE
	L 12	AH68-00486A	CAUTION LABEL	1		EV
	L 13	AH68-00331A	LABEL	1		EE

Exploded view of general assembly and parts list (SP-WA5)

Block No. M 2 M M



Parts list (General assembly)SP-WA5

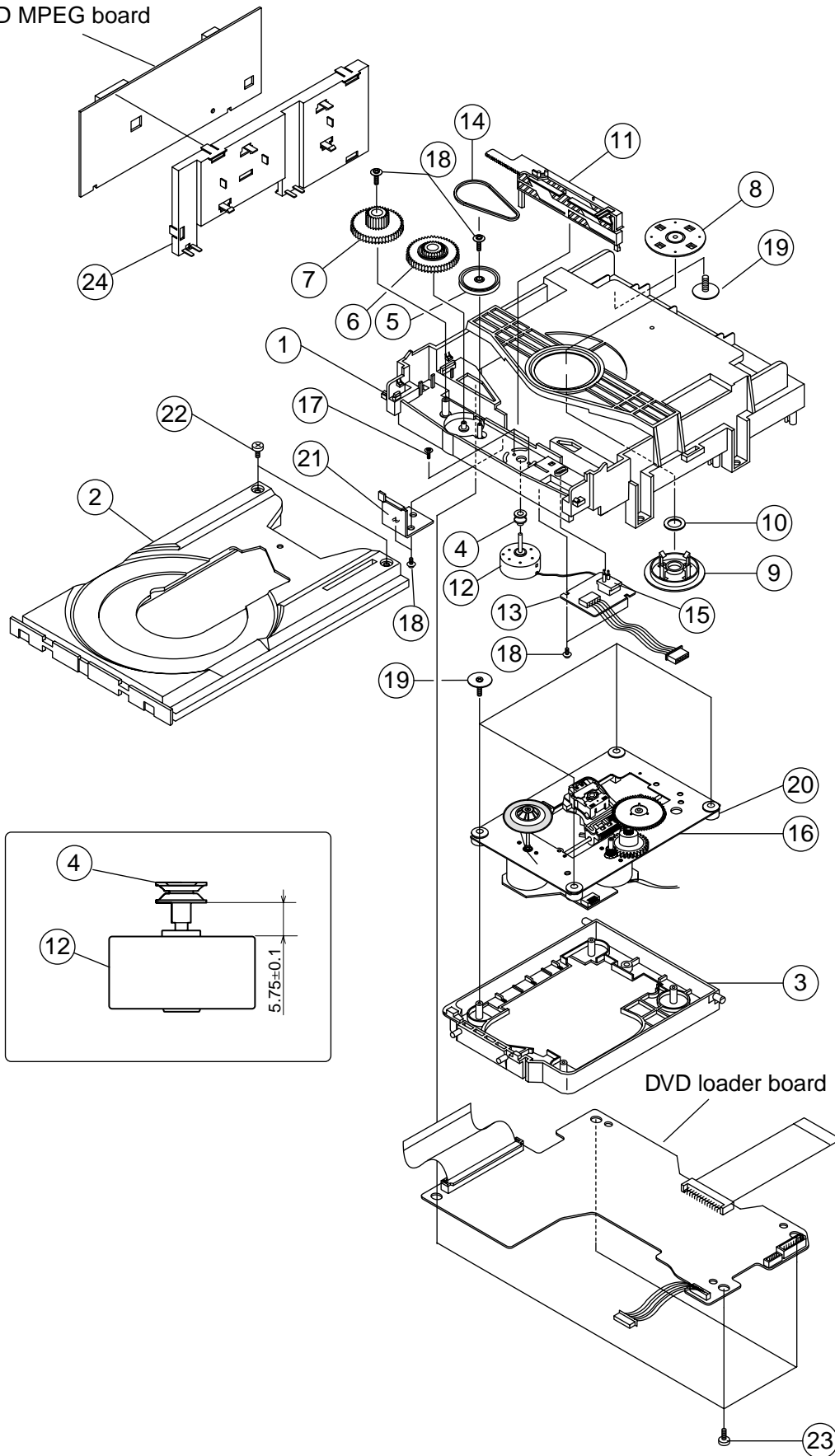
Block No. M2MM

Item	Parts number	Parts name	Q'ty	Description	Area
1	AA000026-01	CABINET	1		
2	CR200027-01	SPEAKER	1	LE10020-007A	
3	70-059-416-02	SCREW	8		
4	29-100-086-01	PACKING RING	1		
5	53-000-158-11	ORNAMENT	1	LV21155-002A	
6	99-200-019-01	NET ASSY	1	LV33134-001A	
7	60-001-856-01	RATING LABEL	1		

DVD mechanism assembly and parts list

Block No. M J M M

DVD MPEG board



■ Parts list (DVD mechanism)

Block No. MJMM

▲	Item	Parts number	Parts name	Q'ty	Description	Area
	1	AH61-00746A	BASE-MAIN	1	BLK	
	2	AH63-00294A	TRAY-DISC	1	D/GRAY	
	3	AH66-00159A	LEVER-LIFT	1	BLK	
	4	AH66-00160A	PULLEY-MOTOR	1		
	5	AH66-00161A	GEAR-PULLEY	1		
	6	AH66-00162A	GEAR-MIDDLE	1		
	7	AH66-00163A	GEAR-TRAY	1		
	8	AH66-00164A	CLAMPER-UPPER	1	UPPER	
	9	AH66-00165A	CLAMPER-LOWER	1	LOWER	
	10	AH61-00747A	BRACKET-CHUCK	1	T1.0	
	11	AH66-00166A	SLIDE-CAM	1		
	12	AH31-00030A	MOTOR-DC	1	RF-300CA-11440	
	13	-----	PCB-SWITCH	1	26.5 X 21.6	
	14	AH66-00167A	BELT-PULLEY	1	CR 1.5	
	15	3409-001119	SWITCH-DETECTOR	1	JDS2200	
	16	AH59-00130A	DVD DECK	1	CMS-S21MG6	
	17	6001-001257	SCREW-MACHINE	2	1.7 X 3(W4.5)	
	18	AJ60-10001A	SCREW-TAP	6	2 X 5(W7)	
	19	6003-001210	SCREW-TAP	5	2.6 X 6(W12)	
	20	AH73-00025B	RUBBER-CD	4	BUTYL 15	
	21	AH61-00958A	BRACKET-GUIDE	1	SECC 1.0T	
	22	6003-000283	SCREW-TAP	2	3 X 8	
	23	6003-000276	SCREW-TAP	4	3 X 10	
	24	AH61-00828A	HOLDER-PCB	1	ABS BLK	

■ Electrical parts list (Main board)

Block No. 01

△	Item	Parts number	Parts name	Remarks	Area	△	Item	Parts number	Parts name	Remarks	Area
	AR48	2007-000097	CHIP RESISTOR	47KOHM,5%,1/16W			C41FR	2203-001554	CHIP CAPACITOR	1.8NF,10%,50V	
△	BD1	0402-001077	BRIDGE DIODE	KBP202G,200V			C41RL	2203-001554	CHIP CAPACITOR	1.8NF,10%,50V	
△	BD2	0402-001258	BRIDGE DIODE	GBU606,6A,600V			C41RR	2203-001554	CHIP CAPACITOR	1.8NF,10%,50V	
△	BD3	0402-001258	BRIDGE DIODE	GBU606,6A,600V			C41W	2203-000062	CHIP CAPACITOR	47NF,+80-20%,50	
△	BD4	0402-001258	BRIDGE DIODE	GBU606,6A,600V			C43C	2401-000909	E.CAPACITOR	22UF,20%,16V	
	CW1	3711-000190	CONNECTOR	1WALL,2P,7.92MM			C43FL	2401-000909	E.CAPACITOR	22UF,20%,16V	
	CW2	3711-004848	CONNECTOR	BOX,3P,7.92MM,S			C43FR	2401-000909	E.CAPACITOR	22UF,20%,16V	
	CW3	3711-001098	CONNECTOR	BOX,7P,2.5MM,ST			C43RL	2401-000909	E.CAPACITOR	22UF,20%,16V	
	CW4	3708-001311	CONNECTOR	SCB-1107-00-2,7			C43RR	2401-000909	E.CAPACITOR	22UF,20%,16V	
	CW5	3711-004110	CONNECTOR	3WALL,12P,2MM,S			C43W	2401-001502	E.CAPACITOR	47UF,20%,16V	
	CW6	3711-004110	CONNECTOR	3WALL,12P,2MM,S			C44C	2203-000704	CHIP CAPACITOR	0.002NF,0.25PF	
	CW7	3711-004110	CONNECTOR	3WALL,12P,2MM,S			C44FL	2203-000704	CHIP CAPACITOR	0.002NF,0.25PF	
	CW8	3708-001094	CONNECTOR	13P,1.25MM,ST			C44FR	2203-000704	CHIP CAPACITOR	0.002NF,0.25PF	
△	C1	2201-000546	C.CAPASITOR	4.7NF,20%,400V			C44RL	2203-000704	CHIP CAPACITOR	0.002NF,0.25PF	
	C10	2401-001912	E.CAPACITOR	1UF,20%,50V			C44RR	2203-000704	CHIP CAPACITOR	0.002NF,0.25PF	
	C11	2401-000795	E.CAPACITOR	220UF,20%,16V			C44W	2203-000280	CHIP CAPACITOR	10PF,0.5PF,50V,	
	C12	2401-001954	E.CAPACITOR	4.7UF,20%,50V			C47C	2301-000375	M.CAPACITOR	100NF,10%,50V	
	C13	2401-001912	E.CAPACITOR	1UF,20%,50V			C47FL	2301-000375	M.CAPACITOR	100NF,10%,50V	
	C14	2201-000161	C.CAPACITOR	10NF,+80-20%,50			C47FR	2301-000375	M.CAPACITOR	100NF,10%,50V	
	C15	2201-000161	C.CAPACITOR	10NF,+80-20%,50			C47RL	2301-000375	M.CAPASITOR	100NF,10%,50V	
	C16	2201-000161	C.CAPACITOR	10NF,+80-20%,50			C47RR	2301-000375	M.CAPASITOR	100NF,10%,50V	
	C17	2201-000161	C.CAPACITOR	10NF,+80-20%,50			C47W	2301-000375	M.CAPACITOR	100NF,10%,50V	
△	C18	2401-002258	E.CAPACITOR	4700UF,20%,50V			C5	2201-000546	C.CAPASITOR	4.7NF,20%,400V	
△	C19	2401-002258	E.CAPACITOR	4700UF,20%,50V			C52	2401-001975	E.CAPACITOR	47UF,20%,16V	
△	C2	2201-000546	C.CAPASITOR	4.7NF,20%,400V			C54	2401-001975	E.CAPACITOR	47UF,20%,16V	
△	C20	2401-003116	E.CAPACITOR	4700UF,20%,35V			C55	2401-001975	E.CAPACITOR	47UF,20%,16V	
	C202L	2203-000783	CHIP CAPACITOR	0.33NF,5%,50V			C7	2401-001538	E.CAPACITOR	47UF,20%,25V	
	C202R	2203-000783	CHIP CAPACITOR	0.33NF,5%,50V			C70FL	2203-000062	CHIP CAPACITOR	47NF,+80-20%,50	
△	C21	2401-003116	E.CAPACITOR	4700UF,20%,35V			C70FR	2203-000062	CHIP CAPACITOR	47NF,+80-20%,50	
△	C22	2401-001959	E.CAPACITOR	4700UF,20%,25V			C71C	2203-000062	CHIP CAPACITOR	47NF,+80-20%,50	
△	C23	2401-001959	E.CAPACITOR	4700UF,20%,25V			C71RL	2203-000062	CHIP CAPACITOR	47NF,+80-20%,50	
	C25	2401-001895	E.CAPACITOR	100UF,20%,16V			C71RR	2203-000062	CHIP CAPACITOR	47NF,+80-20%,50	
	C26	2401-001895	E.CAPACITOR	100UF,20%,16V			C71W	2203-000062	CHIP CAPACITOR	47NF,+80-20%,50	
	C27	2401-001895	E.CAPACITOR	100UF,20%,16V			C8	2401-000438	E.CAPACITOR	10UF,20%,25V	
	C28	2401-000459	E.CAPACITOR	10UF,20%,35V			C9	2401-001413	E.CAPACITOR	470UF,20%,35V	
	C29	2401-000459	E.CAPACITOR	10UF,20%,35V			D1	0402-000127	DIODE	1N4002,100V	
	C3	2201-000546	C.CAPASITOR	4.7NF,20%,400V			D10	0401-001090	DIODE	1SS355	
	C30	2401-001969	E.CAPACITOR	470UF,20%,25V			D11	0402-000127	DIODE	1N4002,100V	
	C31	2401-001969	E.CAPACITOR	470UF,20%,25V			D12	0401-001090	DIODE	1SS355	
	C32C	2201-000300	C.CAPACITOR	1NF,20%,50V			D13	0401-001090	DIODE	1SS355	
	C32FL	2202-000796	C.CAPACITOR	1NF,10%,50V			D14	0401-001090	DIODE	1SS355	
	C32FR	2202-000796	C.CAPACITOR	1NF,10%,50V			D15	0401-001090	DIODE	1SS355	
	C32RL	2202-000796	C.CAPACITOR	1NF,10%,50V			D16	0401-001090	DIODE	1SS355	
	C32RR	2202-000796	C.CAPACITOR	1NF,10%,50V			D17	0401-001090	DIODE	1SS355	
	C32W	2201-000300	C.CAPACITOR	1NF,20%,50V			D2	0402-000127	DIODE	1N4002,100V	
	C33C	2203-000440	CHIP CAPACITOR	1NF,10%,50V			D20	0401-001090	DIODE	1SS355	
	C33FL	2202-000796	C.CAPACITOR	1NF,10%,50V			D201	0401-001090	DIODE	1SS355	
	C33FR	2203-000440	CHIP CAPACITOR	1NF,10%,50V			D202	0401-001090	DIODE	1SS355	
	C33RL	2201-000300	C.CAPACITOR	1NF,20%,50V			D203	0401-001090	DIODE	1SS355	
	C33RR	2201-000300	C.CAPACITOR	1NF,20%,50V			D204	0401-001090	DIODE	1SS355	
	C33W	2203-000440	CHIP CAPACITOR	1NF,10%,50V			D205	0401-001090	DIODE	1SS355	
	C34	2401-000385	E.CAPACITOR	10UF,20%,100V			D206	0401-001090	DIODE	1SS355	
	C35	2401-001361	E.CAPACITOR	470UF,16V,BP			D207	0401-001090	DIODE	1SS355	
	C37	2401-001975	E.CAPACITOR	47UF,20%,16V			D208	0403-001376	ZENER DIODE	UDZ3.6B,3.6-3.8	
	C39	2401-001538	E.CAPACITOR	47UF,20%,25V,			D209	0401-001090	DIODE	1SS355	
	C40C	2401-000407	E.CAPACITOR	10UF,20%,16V			D21	0401-001090	DIODE	1SS355	
	C40FL	2401-000407	E.CAPACITOR	10UF,20%,16V			D210	0401-001090	DIODE	1SS355	
	C40FR	2401-000407	E.CAPACITOR	10UF,20%,16V			D211	0401-001090	DIODE	1SS355	
	C40RL	2401-000407	E.CAPACITOR	10UF,20%,16V			D212	0401-001090	DIODE	1SS355	
	C40RR	2401-000407	E.CAPACITOR	10UF,20%,16V			D213	0401-001090	DIODE	1SS355	
	C40W	2401-000407	E.CAPACITOR	10UF,20%,16V			D214	0401-001090	DIODE	1SS355	
	C41C	2203-001554	CHIP CAPACITOR	1.8NF,10%,50V			D215	0401-001090	DIODE	1SS355	
	C41FL	2203-001554	CHIP CAPACITOR	1.8NF,10%,50V			D216	0401-001090	DIODE	1SS355	

■ Electrical parts list (Main board)

Block No. 01

△	Item	Parts number	Parts name	Remarks	Area
	D217	0401-001090	DIODE	1SS355	
	D218	0401-001090	DIODE	1SS355	
	D22	0402-000309	DIODE	1SR154-400,400V	
	D23	0402-000309	DIODE	1SR154-400,400V	
	D24	0402-000309	DIODE	1SR154-400,400V	
	D28	0401-000900	DIODE	1SS355	
	D29	0401-001090	DIODE	1SS355	
	D3	0401-000101	DIODE	1N4148,100V	
	D30	0401-001090	DIODE	1SS355	
	D31	0401-001090	DIODE	1SS355	
	D32	0401-001090	DIODE	1SS355	
	D33	0401-001090	DIODE	1SS355	
	D34	0401-001090	DIODE	1SS355	
	D35C	0401-001090	DIODE	1SS355	
	D35FL	0401-001090	DIODE	1SS355	
	D35FR	0401-001090	DIODE	1SS355	
	D35RL	0401-001090	DIODE	1SS355	
	D35RR	0401-001090	DIODE	1SS355	
	D35W	0401-001090	DIODE	1SS355	
	D36C	0401-001090	DIODE	1SS355	
	D36FL	0401-001090	DIODE	1SS355	
	D36FR	0401-001090	DIODE	1SS355	
	D36RL	0401-001090	DIODE	1SS355	
	D36RR	0401-001090	DIODE	1SS355	
	D36W	0401-001090	DIODE	1SS355	
	D37C	0401-001090	DIODE	1SS355	
	D37FL	0401-001090	DIODE	1SS355	
	D37FR	0401-001090	DIODE	1SS355	
	D37RL	0401-001090	DIODE	1SS355	
	D37RR	0401-001090	DIODE	1SS355	
	D37W	0401-001090	DIODE	1SS355	
	D38C	0401-001090	DIODE	1SS355	
	D38FL	0401-001090	DIODE	1SS355	
	D38FR	0401-001090	DIODE	1SS355	
	D38RL	0401-001090	DIODE	1SS355	
	D38RR	0401-001090	DIODE	1SS355	
	D38W	0401-001090	DIODE	1SS355	
	D39C	0402-000309	DIODE	1SR154-400,400V	
	D39FL	0402-000309	DIODE	1SR154-400,400V	
	D39FR	0402-000309	DIODE	1SR154-400,400V	
	D39RL	0402-000309	DIODE	1SR154-400,400V	
	D39RR	0402-000309	DIODE	1SR154-400,400V	
	D39W	0402-001484	DIODE	S2B,100V,1.5A	
	D4	0402-000127	DIODE	1N4002,100V	
	D40C	0402-000309	DIODE	1SR154-400,400V	
	D40FL	0402-000309	DIODE	1SR154-400,400V	
	D40FR	0402-000309	DIODE	1SR154-400,400V	
	D40RL	0402-000309	DIODE	1SR154-400,400V	
	D40RR	0402-000309	DIODE	1SR154-400,400V	
	D40W	0402-000309	DIODE	1SR154-400,400V	
	D41C	0402-000309	DIODE	1SR154-400,400V	
	D41FL	0402-000309	DIODE	1SR154-400,400V	
	D41FR	0402-000309	DIODE	1SR154-400,400V	
	D41RL	0402-000309	DIODE	1SR154-400,400V	
	D41RR	0402-000309	DIODE	1SR154-400,400V	
	D41W	0402-000309	DIODE	1SR154-400,400V	
	D42C	0402-000309	DIODE	1SR154-400,400V	
	D42FL	0402-000309	DIODE	1SR154-400,400V	
	D42FR	0402-000309	DIODE	1SR154-400,400V	
	D42RL	0402-000309	DIODE	1SR154-400,400V	
	D42RR	0402-000309	DIODE	1SR154-400,400V	
	D42W	0402-001484	DIODE	S2B,100V,1.5A	
	D5	2003-000603	OMF RESISTOR	270OHM,5%,1W	

△	Item	Parts number	Parts name	Remarks	Area
	D51	0401-001090	DIODE	1SS355	
	D52	0401-001090	DIODE	1SS355	
	D53	0401-001090	DIODE	1SS355	
	D54	0401-001090	DIODE	1SS355	
	D55	0401-001090	DIODE	1SS355	
	D6	0402-000127	DIODE	1N4002,100V	
	D65	0401-001090	DIODE	1SS355	
	D7	2003-000603	OMF RESISTOR	270OHM,5%,1W	
	D8	0402-000127	DIODE	1N4002,100V	
	D9	0401-001090	DIODE	1SS355	
△	FU1	3601-000216	FUSE	250V,2.5A,TIME-	
△	FU3	3601-000319	FUSE	80MA(15.5MM)	
	IC1	1203-000276	IC	KA7805-AB	
	IC2	1201-000163	IC	4560,SOPP,150MI	
	IC3	1203-000242	IC	7812,TO-220	
	IC4	1203-000110	IC	KA7912-AB	
	IC5	1201-000163	IC	4560,SOPP,150MI	
	IC6	1201-000163	IC	4560,SOPP,150MI	
	IC7	1201-000163	IC	4560,SOPP,150MI	
	IC8	1203-000242	IC	7812,TO-220	
	JW100	2007-000033	CHIP RESISTOR	0OHM,5%,1/8W	
	JW102	2007-000033	CHIP RESISTOR	0OHM,5%,1/8W	
	JW104	2007-000033	CHIP RESISTOR	0OHM,5%,1/8W	
	JW106	2007-000033	CHIP RESISTOR	0OHM,5%,1/8W	
	J1	3716-001173	TERMINAL BLOCK	SOLDERP,12.5MM	
	J2	3716-001132	TERMINAL BLOCK	P40420421P-RED,	
	J3	3722-001727	PIN JACK	2P,3PI,NI-P,BLK	
△	L1	AH27-10001F	COIL	27UH	
△	L2	AH27-10001F	COIL	27UH	
	L3C	AH27-90001A	SPRING COIL	2.2UH,SPRING	
	L3FL	AH27-90001A	SPRING COIL	2.2UH,SPRING	
	L3FR	AH27-90001A	SPRING COIL	2.2UH,SPRING	
	L3RL	AH27-90001A	SPRING COIL	2.2UH,SPRING	
	L3RR	AH27-90001A	SPRING COIL	2.2UH,SPRING	
	L3W	AH27-90001A	SPRING COIL	2.2UH,SPRING	
	MC601	2203-000888	CHIP CAPACITOR	4.7NF,10%,50V	
	MC602	2203-000888	CHIP CAPACITOR	4.7NF,10%,50V	
	MC603	2203-000888	CHIP CAPACITOR	4.7NF,10%,50V	
	MC604	2203-000888	CHIP CAPACITOR	4.7NF,10%,50V	
	MC605	2203-000888	CHIP CAPACITOR	4.7NF,10%,50V	
	MC606	2203-000888	CHIP CAPACITOR	4.7NF,10%,50V	
	MR18	2007-000106	CHIP RESISTOR	220KOHM,5%,1/16	
	MR19	2007-000090	CHIP RESISTOR	10KOHM,5%,1/16W	
△	PBD1	0402-001258	BRIDGE DIODE	GBU606,6A,600V	
△	PBD2	0402-001408	BRIDGE DIODE	KBP005G,50V	
	PC1	2401-000230	E.CAPACITOR	100UF,20%,100V	
	PC10	2401-000475	E.CAPACITOR	10UF,20%,50V	
	PC11	2401-001895	E.CAPACITOR	100UF,20%,16V	
	PC12	2401-001895	E.CAPACITOR	100UF,20%,16V	
	PC13	2401-000475	E.CAPACITOR	10UF,20%,50V	
	PC14	2401-001895	E.CAPACITOR	100UF,20%,16V	
	PC15	2401-001895	E.CAPACITOR	100UF,20%,16V	
	PC16	2401-000475	E.CAPACITOR	10UF,20%,50V	
	PC17	2401-001895	E.CAPACITOR	100UF,20%,16V	
	PC18	2401-000475	E.CAPACITOR	10UF,20%,50V	
	PC19	2201-000546	C.CAPASITOR	4.7NF,20%,400V	
	PC2	2401-000357	E.CAPACITOR	100UF,0.2,50V	
	PC20	2201-000546	C.CAPASITOR	4.7NF,20%,400V	
△	PC3	2401-001879	E.CAPACITOR	10000UF,20%,16V	
△	PC4	2401-001879	E.CAPACITOR	10000UF,20%,16V	
	PC5	2401-001052	E.CAPACITOR	3300UF,20%,25V	
	PC6	2401-000475	E.CAPACITOR	10UF,20%,50V	
	PC7	2401-001895	E.CAPACITOR	100UF,20%,16V	

■ Electrical parts list (Main board)

Block No. 01

△	Item	Parts number	Parts name	Remarks	Area	△	Item	Parts number	Parts name	Remarks	Area
	PC8	2401-000475	E.CAPACITOR	10UF,20%,50V			Q2	0501-000010	TRANSISTOR	KSC1008,NPN	
	PC9	2401-001895	E.CAPACITOR	100UF,20%,16V			Q20C	0501-000303	TRANSISTOR	KSA733,PNP	
	PD1	0402-000127	DIODE	1N4002,100V			Q20FL	0501-000303	TRANSISTOR	KSA733,PNP	
	PD10	0404-000156	SCHOTTKY DIODE	RB441Q,10V			Q20FR	0501-000303	TRANSISTOR	KSA733,PNP	
	PD2	0401-000101	DIODE	1N4148,100V			Q20RL	0501-000303	TRANSISTOR	KSA733,PNP	
	PD3	0401-000101	DIODE	1N4148,100V			Q20RR	0501-000303	TRANSISTOR	KSA733,PNP	
	PD4	0401-000101	DIODE	1N4148,100V			Q20W	0501-000303	TRANSISTOR	KSA733,PNP	
	PD5	0401-000101	DIODE	1N4148,100V			Q21C	0501-000294	TRANSISTOR	KSA708-Y,PNP	
	PD7	0401-000101	DIODE	1N4148,100V			Q21FL	0501-000294	TRANSISTOR	KSA708-Y,PNP	
	PD8	0401-000101	DIODE	1N4148,100V			Q21FR	0501-000294	TRANSISTOR	KSA708-Y,PNP	
	PD9	0401-000101	DIODE	1N4148,100V			Q21RL	0501-000294	TRANSISTOR	KSA708-Y,PNP	
	PQ1	1203-001006	IC	78R05,T0-220F,4			Q21RR	0501-000294	TRANSISTOR	KSA708-Y,PNP	
	PQ2	1203-001006	IC	78R05,T0-220F,4			Q21W	0501-000294	TRANSISTOR	KSA708-Y,PNP	
	PQ3	0502-000303	TRANSISTOR	KSD882,NPN,1W			Q22C	0501-000010	TRANSISTOR	KSC1008,NPN	
	PQ4	1203-001586	IC	278R33,,4P			Q22FL	0501-000010	TRANSISTOR	KSC1008,NPN	
	PQ5	1203-001697	IC	78R08 T0-220 4P			Q22FR	0501-000010	TRANSISTOR	KSC1008,NPN	
	PQ6	1203-001006	IC	78R05,T0-220F,4			Q22RL	0501-000010	TRANSISTOR	KSC1008,NPN	
	PQ7	1203-002296	IC	BA3254FP-E2			Q22RR	0501-000010	TRANSISTOR	KSC1008,NPN	
	PR1	2003-000701	OMF RESISTOR	470OHM,5%,2W			Q22W	0501-000010	TRANSISTOR	KSC1008,NPN	
	PR10	2003-000629	OMF RESISTOR	3.3OHM,5%,2W			Q23C	0501-000010	TRANSISTOR	KSC1008,NPN	
	PR11	2003-000629	OMF RESISTOR	3.3OHM,5%,2W			Q23FL	0501-000010	TRANSISTOR	KSC1008,NPN	
	PR2	2007-000091	CHIP RESISTOR	12KOHM,5%,1/16W			Q23FR	0501-000010	TRANSISTOR	KSC1008,NPN	
	PR21	2007-000091	CHIP RESISTOR	12KOHM,5%,1/16W			Q23RL	0501-000010	TRANSISTOR	KSC1008,NPN	
	PR3	2007-000309	CHIP RESISTOR	10OHM,5%,1/16W			Q23RR	0501-000010	TRANSISTOR	KSC1008,NPN	
	PR4	2003-000471	OMF RESISTOR	10OHM,5%,2W			Q23W	0501-000010	TRANSISTOR	KSC1008,NPN	
	PR5	2007-000309	CHIP RESISTOR	10OHM,5%,1/16W			Q24C	0501-000010	TRANSISTOR	KSC1008,NPN	
	PR6	2007-000094	CHIP RESISTOR	22KOHM,5%,1/16W			Q24FL	0501-000010	TRANSISTOR	KSC1008,NPN	
	PR7	2007-000129	CHIP RESISTOR	27KOHM,5%,1/16W			Q24FR	0501-000010	TRANSISTOR	KSC1008,NPN	
	PR8	2007-000092	CHIP RESISTOR	15KOHM,5%,1/16W			Q24RL	0501-000010	TRANSISTOR	KSC1008,NPN	
	PR9	2007-000094	CHIP RESISTOR	22KOHM,5%,1/16W			Q24RR	0501-000010	TRANSISTOR	KSC1008,NPN	
△	PT1	AH26-00143C	POWER TRANS	HT-DL1006,276V			Q24W	0501-000010	TRANSISTOR	KSC1008,NPN	
	PW1	3711-000963	CONNECTOR	BOX,4P,2.5MM,ST			Q25C	0501-000010	TRANSISTOR	KSC1008,NPN	
	PW2	3711-003111	CONNECTOR	BOX,6P,2.5MM,ST			Q25FL	0501-000010	TRANSISTOR	KSC1008,NPN	
	PW3	3711-004109	CONNECTOR	3WALL,14P,2MM,S			Q25FR	0501-000010	TRANSISTOR	KSC1008,NPN	
	PW5	3708-001311	CONNECTOR	SCB-1107-00-2,7			Q25RL	0501-000010	TRANSISTOR	KSC1008,NPN	
	PZD1	0403-000564	ZENER DIODE	TZP16A,16V,1W,			Q25RR	0501-000010	TRANSISTOR	KSC1008,NPN	
	PZD2	0403-000564	ZENER DIODE	TZP16A,16V,1W,			Q25W	0501-000010	TRANSISTOR	KSC1008,NPN	
	Q1	0504-000118	TRANSISTOR	KSR1003,NPN,300			Q26C	0501-000294	TRANSISTOR	KSA708-Y,PNP	
	Q10	0501-000398	TRANSISTOR	KSC945,NPN			Q26FL	0501-000294	TRANSISTOR	KSA708-Y,PNP	
	Q11	0501-000398	TRANSISTOR	KSC945,NPN			Q26FR	0501-000294	TRANSISTOR	KSA708-Y,PNP	
	Q12	0504-001003	TRANSISTOR	KSR2003TA			Q26RL	0501-000294	TRANSISTOR	KSA708-Y,PNP	
	Q13	0501-000303	TRANSISTOR	KSA733,PNP			Q26RR	0501-000294	TRANSISTOR	KSA708-Y,PNP	
	Q14	0501-000398	TRANSISTOR	KSC945,NPN			Q26W	0501-000294	TRANSISTOR	KSA708-Y,PNP	
	Q15	0501-000398	TRANSISTOR	KSC945,NPN			Q27C	0501-000294	TRANSISTOR	KSA708-Y,PNP	
	Q16	0501-000303	TRANSISTOR	KSA733,PNP			Q27FL	0501-000294	TRANSISTOR	KSA708-Y,PNP	
	Q17C	0501-000341	TRANSISTOR	KSC1623-L,NPN			Q27FR	0501-000294	TRANSISTOR	KSA708-Y,PNP	
	Q17FL	0501-000341	TRANSISTOR	KSC1623-L,NPN			Q27RL	0501-000294	TRANSISTOR	KSA708-Y,PNP	
	Q17FR	0501-000341	TRANSISTOR	KSC1623-L,NPN			Q27RR	0501-000294	TRANSISTOR	KSA708-Y,PNP	
	Q17RL	0501-000341	TRANSISTOR	KSC1623-L,NPN			Q27W	0501-000294	TRANSISTOR	KSA708-Y,PNP	
	Q17RR	0501-000341	TRANSISTOR	KSC1623-L,NPN			Q28C	0501-000294	TRANSISTOR	KSA708-Y,PNP	
	Q17W	0501-000341	TRANSISTOR	KSC1623-L,NPN			Q28FL	0501-000294	TRANSISTOR	KSA708-Y,PNP	
	Q18C	0501-000341	TRANSISTOR	KSC1623-L,NPN			Q28FR	0501-000294	TRANSISTOR	KSA708-Y,PNP	
	Q18FL	0501-000341	TRANSISTOR	KSC1623-L,NPN			Q28RL	0501-000294	TRANSISTOR	KSA708-Y,PNP	
	Q18FR	0501-000341	TRANSISTOR	KSC1623-L,NPN			Q28RR	0501-000294	TRANSISTOR	KSA708-Y,PNP	
	Q18RL	0501-000341	TRANSISTOR	KSC1623-L,NPN			Q28W	0501-000294	TRANSISTOR	KSA708-Y,PNP	
	Q18RR	0501-000341	TRANSISTOR	KSC1623-L,NPN			Q29C	0502-001048	TRANSISTOR	KSD1691,NPN	
	Q18W	0501-000341	TRANSISTOR	KSC1623-L,NPN			Q29FL	0502-001048	TRANSISTOR	KSD1691,NPN	
	Q19C	0501-000398	TRANSISTOR	KSC945,NPN			Q29FR	0502-001048	TRANSISTOR	KSD1691,NPN	
	Q19FL	0501-000398	TRANSISTOR	KSC945,NPN			Q29RL	0502-001048	TRANSISTOR	KSD1691,NPN	
	Q19FR	0501-000398	TRANSISTOR	KSC945,NPN			Q29RR	0502-001048	TRANSISTOR	KSD1691,NPN	
	Q19RL	0501-000398	TRANSISTOR	KSC945,NPN			Q29W	0502-001048	TRANSISTOR	KSD1691,NPN	
	Q19RR	0501-000398	TRANSISTOR	KSC945,NPN			Q3	0501-000010	TRANSISTOR	KSC1008,NPN	
	Q19W	0501-000398	TRANSISTOR	KSC945,NPN			Q30C	0502-001048	TRANSISTOR	KSD1691,NPN	

■ Electrical parts list (Main board)

Block No. 01

△	Item	Parts number	Parts name	Remarks	Area
	Q30FL	0502-001048	TRANSISTOR	KSD1691,NPN	
	Q30FR	0502-001048	TRANSISTOR	KSD1691,NPN	
	Q30RL	0502-001048	TRANSISTOR	KSD1691,NPN	
	Q30RR	0502-001048	TRANSISTOR	KSD1691,NPN	
	Q30W	0502-001048	TRANSISTOR	KSD1691,NPN	
	Q31C	0502-001048	TRANSISTOR	KSD1691,NPN	
	Q31FL	0502-001048	TRANSISTOR	KSD1691,NPN	
	Q31FR	0502-001048	TRANSISTOR	KSD1691,NPN	
	Q31RL	0502-001048	TRANSISTOR	KSD1691,NPN	
	Q31RR	0502-001048	TRANSISTOR	KSD1691,NPN	
	Q31W	0502-001048	TRANSISTOR	KSD1691,NPN	
	Q32C	0502-001210	TRANSISTOR	KSB1151,PNP	
	Q32FL	0502-001210	TRANSISTOR	KSB1151,PNP	
	Q32FR	0502-001210	TRANSISTOR	KSB1151,PNP	
	Q32RL	0502-001210	TRANSISTOR	KSB1151,PNP	
	Q32RR	0502-001210	TRANSISTOR	KSB1151,PNP	
	Q32W	0502-001210	TRANSISTOR	KSB1151,PNP	
	Q33C	0502-001210	TRANSISTOR	KSB1151,PNP	
	Q33FL	0502-001210	TRANSISTOR	KSB1151,PNP	
	Q33FR	0502-001210	TRANSISTOR	KSB1151,PNP	
	Q33RL	0502-001210	TRANSISTOR	KSB1151,PNP	
	Q33RR	0502-001210	TRANSISTOR	KSB1151,PNP	
	Q33W	0502-001210	TRANSISTOR	KSB1151,PNP	
	Q34C	0502-001210	TRANSISTOR	KSB1151,PNP	
	Q34FL	0502-001210	TRANSISTOR	KSB1151,PNP	
	Q34FR	0502-001210	TRANSISTOR	KSB1151,PNP	
	Q34RL	0502-001210	TRANSISTOR	KSB1151,PNP	
	Q34RR	0502-001210	TRANSISTOR	KSB1151,PNP	
	Q34W	0502-001210	TRANSISTOR	KSB1151,PNP	
	Q35C	0501-000398	TRANSISTOR	KSC945,NPN	
	Q35FL	0501-000398	TRANSISTOR	KSC945,NPN	
	Q35FR	0501-000398	TRANSISTOR	KSC945,NPN	
	Q35RL	0501-000398	TRANSISTOR	KSC945,NPN	
	Q35RR	0501-000398	TRANSISTOR	KSC945,NPN	
	Q35W	0501-000398	TRANSISTOR	KSC945,NPN	
	Q36C	0502-001048	TRANSISTOR	KSD1691,NPN	
	Q36FL	0502-001048	TRANSISTOR	KSD1691,NPN	
	Q36FR	0502-001048	TRANSISTOR	KSD1691,NPN	
	Q36RL	0502-001048	TRANSISTOR	KSD1691,NPN	
	Q36RR	0502-001048	TRANSISTOR	KSD1691,NPN	
	Q36W	0502-001048	TRANSISTOR	KSD1691,NPN	
	Q37	0504-000156	TRANSISTOR	KSR2103,PNP,200	
	Q38	0504-000156	TRANSISTOR	KSR2103,PNP,200	
	Q39	0504-000156	TRANSISTOR	KSR2103,PNP,200	
	Q4	0501-000294	TRANSISTOR	KSA708-Y,PNP	
	Q40	0502-000299	TRANSISTOR	KSD73-Y,NPN	
	Q5	0501-000398	TRANSISTOR	KSC945,NPN	
	Q6	0501-000610	TRANSISTOR	KSA928A-Y,PNP	
	Q7	0501-000314	TRANSISTOR	KSA812,PNP	
	Q8	0501-000341	TRANSISTOR	KSC1623-L,NPN	
	Q9	0501-000010	TRANSISTOR	KSC1008,NPN	
△	RE1	3501-001214	RELAY	12V,0.45W1FORMA	
△	RE3	3501-001008	RELAY	G2R-1 DC12	
	RE5	3501-001197	RELAY	OSA-SS-212DM3	
	RE6	3501-001197	RELAY	OSA-SS-212DM3	
	RE7	3501-001197	RELAY	OSA-SS-212DM3	
	R10	2007-000102	CHIP RESISTOR	100KOHM,5%,1/16	
	R100	2007-000124	CHIP RESISTOR	2.2KOHM,5%,1/16	
	R101	2007-000090	CHIP RESISTOR	10KOHM,5%,1/16W	
	R102	2007-000078	CHIP RESISTOR	1KOHM,5%,1/16W	
	R103	2007-000075	CHIP RESISTOR	220OHM,5%,1/16W	
	R104	2007-000075	CHIP RESISTOR	220OHM,5%,1/16W	
	R105	2007-000077	CHIP RESISTOR	470OHM,5%,1/16W	

△	Item	Parts number	Parts name	Remarks	Area
	R106	2007-000124	CHIP RESISTOR	2.2KOHM,5%,1/16	
	R107	2007-000090	CHIP RESISTOR	10KOHM,5%,1/16W	
	R108	2007-000097	CHIP RESISTOR	47KOHM,5%,1/16W	
	R109	2007-000075	CHIP RESISTOR	220OHM,5%,1/16W	
	R11	2001-000864	CARBON RESISTOR	56KOHM,5%,1/8W	
	R110	2007-000075	CHIP RESISTOR	220OHM,5%,1/16W	
	R111	2007-000124	CHIP RESISTOR	2.2KOHM,5%,1/16	
	R112	2007-000090	CHIP RESISTOR	10KOHM,5%,1/16W	
	R113	2007-000097	CHIP RESISTOR	47KOHM,5%,1/16W	
	R114	2007-000075	CHIP RESISTOR	220OHM,5%,1/16W	
	R115	2007-000075	CHIP RESISTOR	220OHM,5%,1/16W	
	R116	2007-000077	CHIP RESISTOR	470OHM,5%,1/16W	
	R117	2007-001179	CHIP RESISTOR	8.2KOHM,5%,1/16	
	R118	2007-000090	CHIP RESISTOR	10KOHM,5%,1/16W	
	R119	2007-000097	CHIP RESISTOR	47KOHM,5%,1/16W	
	R12	2007-000094	CHIP RESISTOR	22KOHM,5%,1/16W	
	R120	2007-000075	CHIP RESISTOR	220OHM,5%,1/16W	
	R121	2007-000075	CHIP RESISTOR	220OHM,5%,1/16W	
	R122	2007-000124	CHIP RESISTOR	2.2KOHM,5%,1/16	
	R123	2007-000090	CHIP RESISTOR	10KOHM,5%,1/16W	
	R124	2007-000078	CHIP RESISTOR	1KOHM,5%,1/16W	
	R125	2007-000075	CHIP RESISTOR	220OHM,5%,1/16W	
	R126	2007-000075	CHIP RESISTOR	220OHM,5%,1/16W	
	R127	2007-000077	CHIP RESISTOR	470OHM,5%,1/16W	
	R128	2007-000124	CHIP RESISTOR	2.2KOHM,5%,1/16	
	R129	2007-000090	CHIP RESISTOR	10KOHM,5%,1/16W	
	R13	2007-000102	CHIP RESISTOR	100KOHM,5%,1/16	
	R130	2007-000078	CHIP RESISTOR	1KOHM,5%,1/16W	
	R131	2007-000075	CHIP RESISTOR	220OHM,5%,1/16W	
	R132	2007-000075	CHIP RESISTOR	220OHM,5%,1/16W	
	R134	2007-000075	CHIP RESISTOR	220OHM,5%,1/16W	
	R135	2007-000097	CHIP RESISTOR	47KOHM,5%,1/16W	
	R136	2007-000102	CHIP RESISTOR	100KOHM,5%,1/16	
	R137	2007-000070	CHIP RESISTOR	0OHM,5%,1/16W	
	R137C	2007-000070	CHIP RESISTOR	0OHM,5%,1/16W	
	R14	2007-000091	CHIP RESISTOR	12KOHM,5%,1/16W	
	R142	2007-000094	CHIP RESISTOR	22KOHM,5%,1/16W	
	R143	2007-000094	CHIP RESISTOR	22KOHM,5%,1/16W	
	R144L	2007-000086	CHIP RESISTOR	5.6KOHM,5%,1/16	
	R144R	2007-000086	CHIP RESISTOR	5.6KOHM,5%,1/16	
	R145L	2007-000091	CHIP RESISTOR	12KOHM,5%,1/16W	
	R145R	2007-000091	CHIP RESISTOR	12KOHM,5%,1/16W	
	R146	2001-000850	CARBON RESISTOR	560KOHM,5%,1/8W	
	R15	2001-000702	CARBON RESISTOR	39KOHM,5%,1/8W	
	R16	2007-000081	CHIP RESISTOR	2.7KOHM,5%,1/16	
	R17	2007-000098	CHIP RESISTOR	56KOHM,5%,1/16W	
	R18	2007-000098	CHIP RESISTOR	56KOHM,5%,1/16W	
	R19	2007-000134	CHIP RESISTOR	33KOHM,5%,1/16W	
	R2	2001-000890	CARBON RESISTOR	6.8KOHM,5%,1/8W	
	R20	2007-000134	CHIP RESISTOR	33KOHM,5%,1/16W	
	R200L	2007-000090	CHIP RESISTOR	10KOHM,5%,1/16W	
	R200R	2007-000090	CHIP RESISTOR	10KOHM,5%,1/16W	
	R201L	2007-000134	CHIP RESISTOR	33KOHM,5%,1/16W	
	R201R	2007-000134	CHIP RESISTOR	33KOHM,5%,1/16W	
	R21	2007-000094	CHIP RESISTOR	22KOHM,5%,1/16W	
	R22	2007-000094	CHIP RESISTOR	22KOHM,5%,1/16W	
	R25	2003-000767	OMF RESISTOR	680OHM,5%,2W	
	R3	2007-000124	CHIP RESISTOR	2.2KOHM,5%,1/16	
	R30	2003-000765	OMF RESISTOR	680OHM,5%,1W	
	R31	2001-000110	CARBON RESISTOR	10OHM,5%,1/4W	
	R32C	2007-000124	CHIP RESISTOR	2.2KOHM,5%,1/16	
	R32FL	2007-000124	CHIP RESISTOR	2.2KOHM,5%,1/16	
	R32FR	2007-000124	CHIP RESISTOR	2.2KOHM,5%,1/16	

■ Electrical parts list (Main board)

Block No. 01

△	Item	Parts number	Parts name	Remarks	Area	△	Item	Parts number	Parts name	Remarks	Area
	R32RL	2007-000124	CHIP RESISTOR	2.2KOHM,5%,1/16			R58	2007-000090	CHIP RESISTOR	10KOHM,5%,1/16W	
	R32RR	2007-000124	CHIP RESISTOR	2.2KOHM,5%,1/16			R59	2007-000094	CHIP RESISTOR	22KOHM,5%,1/16W	
	R32W	2007-000124	CHIP RESISTOR	2.2KOHM,5%,1/16			R6	2001-000786	CARBON RESISTOR	47KOHM,5%,1/8W	
	R33C	2007-000653	CHIP RESISTOR	27KOHM,5%,1/10W			R60	2007-000120	CHIP RESISTOR	680OHM,5%,1/16W	
	R33FL	2007-000653	CHIP RESISTOR	27KOHM,5%,1/10W			R61	2007-000134	CHIP RESISTOR	33KOHM,5%,1/16W	
	R33FR	2007-000653	CHIP RESISTOR	27KOHM,5%,1/10W			R62	2007-000094	CHIP RESISTOR	22KOHM,5%,1/16W	
	R33RL	2007-000653	CHIP RESISTOR	27KOHM,5%,1/10W			R63	2007-000090	CHIP RESISTOR	10KOHM,5%,1/16W	
	R33RR	2007-000653	CHIP RESISTOR	27KOHM,5%,1/10W			R64	2007-000091	CHIP RESISTOR	12KOHM,5%,1/16W	
	R33W	2007-000653	CHIP RESISTOR	27KOHM,5%,1/10W			R65	2007-000130	CHIP RESISTOR	39KOHM,5%,1/16W	
	R34C	2007-000402	CHIP RESISTOR	150OHM,5%,1/16W			R66	2007-000084	CHIP RESISTOR	4.7KOHM,5%,1/16	
	R34FL	2007-000402	CHIP RESISTOR	150OHM,5%,1/16W			R67	2007-000094	CHIP RESISTOR	22KOHM,5%,1/16W	
	R34FR	2007-000402	CHIP RESISTOR	150OHM,5%,1/16W			R68	2007-000084	CHIP RESISTOR	4.7KOHM,5%,1/16	
	R34RL	2007-000402	CHIP RESISTOR	150OHM,5%,1/16W			R69	2007-000134	CHIP RESISTOR	33KOHM,5%,1/16W	
	R34RR	2007-000402	CHIP RESISTOR	150OHM,5%,1/16W			R7	2001-001050	CARBON RESISTOR	1.5KOHM,5%,1/2W	
	R34W	2007-000402	CHIP RESISTOR	150OHM,5%,1/16W			R70	2007-000134	CHIP RESISTOR	33KOHM,5%,1/16W	
	R35C	2007-000124	CHIP RESISTOR	2.2KOHM,5%,1/16			R71	2007-000090	CHIP RESISTOR	10KOHM,5%,1/16W	
	R35FL	2007-000124	CHIP RESISTOR	2.2KOHM,5%,1/16			R72	2007-001179	CHIP RESISTOR	8.2KOHM,5%,1/16	
	R35FR	2007-000124	CHIP RESISTOR	2.2KOHM,5%,1/16			R73	2007-000125	CHIP RESISTOR	3.9KOHM,5%,1/16	
	R35RL	2007-000124	CHIP RESISTOR	2.2KOHM,5%,1/16			R74	2007-000090	CHIP RESISTOR	10KOHM,5%,1/16W	
	R35RR	2007-000124	CHIP RESISTOR	2.2KOHM,5%,1/16			R75C	2007-000097	CHIP RESISTOR	47KOHM,5%,1/16W	
	R35W	2007-000124	CHIP RESISTOR	2.2KOHM,5%,1/16			R75FL	2007-000097	CHIP RESISTOR	47KOHM,5%,1/16W	
	R36C	2007-000653	CHIP RESISTOR	27KOHM,5%,1/10W			R75FR	2007-000097	CHIP RESISTOR	47KOHM,5%,1/16W	
	R36FL	2007-000653	CHIP RESISTOR	27KOHM,5%,1/10W			R75RL	2007-000097	CHIP RESISTOR	47KOHM,5%,1/16W	
	R36FR	2007-000653	CHIP RESISTOR	27KOHM,5%,1/10W			R75RR	2007-000097	CHIP RESISTOR	47KOHM,5%,1/16W	
	R36RL	2007-000653	CHIP RESISTOR	27KOHM,5%,1/10W			R75W	2007-000097	CHIP RESISTOR	47KOHM,5%,1/16W	
	R36RR	2007-000653	CHIP RESISTOR	27KOHM,5%,1/10W			R76C	2007-000078	CHIP RESISTOR	1KOHM,5%,1/16W	
	R36W	2007-000653	CHIP RESISTOR	27KOHM,5%,1/10W			R76FL	2007-000078	CHIP RESISTOR	1KOHM,5%,1/16W	
	R37C	2007-000402	CHIP RESISTOR	150OHM,5%,1/16W			R76FR	2007-000078	CHIP RESISTOR	1KOHM,5%,1/16W	
	R37FL	2007-000402	CHIP RESISTOR	150OHM,5%,1/16W			R76RL	2007-000078	CHIP RESISTOR	1KOHM,5%,1/16W	
	R37FR	2007-000402	CHIP RESISTOR	150OHM,5%,1/16W			R76RR	2007-000078	CHIP RESISTOR	1KOHM,5%,1/16W	
	R37RL	2007-000402	CHIP RESISTOR	150OHM,5%,1/16W			R76W	2007-000124	CHIP RESISTOR	2.2KOHM,5%,1/16	
	R37RR	2007-000402	CHIP RESISTOR	150OHM,5%,1/16W			R77C	2007-000078	CHIP RESISTOR	1KOHM,5%,1/16W	
	R37W	2007-000402	CHIP RESISTOR	150OHM,5%,1/16W			R77FL	2007-000078	CHIP RESISTOR	1KOHM,5%,1/16W	
	R38	2003-000710	OMF RESISTOR	47OHM,5%,2W			R77FR	2007-000078	CHIP RESISTOR	1KOHM,5%,1/16W	
	R38C	2007-000098	CHIP RESISTOR	56KOHM,5%,1/16W			R77RL	2007-000078	CHIP RESISTOR	1KOHM,5%,1/16W	
	R38FL	2007-000098	CHIP RESISTOR	56KOHM,5%,1/16W			R77RR	2007-000078	CHIP RESISTOR	1KOHM,5%,1/16W	
	R38FR	2007-000098	CHIP RESISTOR	56KOHM,5%,1/16W			R77W	2007-000124	CHIP RESISTOR	2.2KOHM,5%,1/16	
	R38RL	2007-000098	CHIP RESISTOR	56KOHM,5%,1/16W			R78C	2007-000098	CHIP RESISTOR	56KOHM,5%,1/16W	
	R38RR	2007-000098	CHIP RESISTOR	56KOHM,5%,1/16W			R78FL	2007-000098	CHIP RESISTOR	56KOHM,5%,1/16W	
	R38W	2007-000098	CHIP RESISTOR	56KOHM,5%,1/16W			R78FR	2007-000098	CHIP RESISTOR	56KOHM,5%,1/16W	
	R39	2003-000578	OMF RESISTOR	220OHM,5%,2W			R78RL	2007-000098	CHIP RESISTOR	56KOHM,5%,1/16W	
	R39FL	2007-000097	CHIP RESISTOR	47KOHM,5%,1/16W			R78RR	2007-000098	CHIP RESISTOR	56KOHM,5%,1/16W	
	R39FR	2007-000097	CHIP RESISTOR	47KOHM,5%,1/16W			R78W	2007-000098	CHIP RESISTOR	56KOHM,5%,1/16W	
	R4	2001-000050	CARBON RESISTOR	2.7KOHM,5%,1/4W			R79C	2007-000079	CHIP RESISTOR	1.8KOHM,5%,1/16	
	R40	2007-000094	CHIP RESISTOR	22KOHM,5%,1/16W			R79FL	2007-000079	CHIP RESISTOR	1.8KOHM,5%,1/16	
	R401	2007-000102	CHIP RESISTOR	100KOHM,5%,1/16			R79FR	2007-000079	CHIP RESISTOR	1.8KOHM,5%,1/16	
	R41	2007-000084	CHIP RESISTOR	4.7KOHM,5%,1/16			R79RL	2007-000079	CHIP RESISTOR	1.8KOHM,5%,1/16	
	R42	2007-000094	CHIP RESISTOR	22KOHM,5%,1/16W			R79RR	2007-000079	CHIP RESISTOR	1.8KOHM,5%,1/16	
	R43	2007-000134	CHIP RESISTOR	33KOHM,5%,1/16W			R79W	2007-000079	CHIP RESISTOR	1.8KOHM,5%,1/16	
	R44	2003-000674	OMF RESISTOR	39OHM,5%,1W			R8	2001-000773	CARBON RESISTOR	470KOHM,5%,1/8W	
	R45	2003-000807	OMF RESISTOR	82OHM,5%,2W			R80C	2007-000098	CHIP RESISTOR	56KOHM,5%,1/16W	
	R47	2007-000084	CHIP RESISTOR	4.7KOHM,5%,1/16			R80FL	2007-000098	CHIP RESISTOR	56KOHM,5%,1/16W	
	R48	2007-000097	CHIP RESISTOR	47KOHM,5%,1/16W			R80FR	2007-000098	CHIP RESISTOR	56KOHM,5%,1/16W	
	R49	2007-000097	CHIP RESISTOR	47KOHM,5%,1/16W			R80RL	2007-000098	CHIP RESISTOR	56KOHM,5%,1/16W	
	R5	2001-000660	CARBON RESISTOR	33KOHM,5%,1/8W			R80RR	2007-000098	CHIP RESISTOR	56KOHM,5%,1/16W	
	R50	2007-000090	CHIP RESISTOR	10KOHM,5%,1/16W			R80W	2007-000098	CHIP RESISTOR	56KOHM,5%,1/16W	
	R51	2007-000090	CHIP RESISTOR	10KOHM,5%,1/16W			R81C	2007-000084	CHIP RESISTOR	4.7KOHM,5%,1/16	
	R52	2007-000076	CHIP RESISTOR	330OHM,5%,1/16W			R81FL	2007-000084	CHIP RESISTOR	4.7KOHM,5%,1/16	
	R53	2007-000116	CHIP RESISTOR	120OHM,5%,1/16W			R81FR	2007-000084	CHIP RESISTOR	4.7KOHM,5%,1/16	
	R54	2007-000090	CHIP RESISTOR	10KOHM,5%,1/16W			R81RL	2007-000084	CHIP RESISTOR	4.7KOHM,5%,1/16	
	R55	2007-000094	CHIP RESISTOR	22KOHM,5%,1/16W			R81RR	2007-000084	CHIP RESISTOR	4.7KOHM,5%,1/16	
	R56	2007-000090	CHIP RESISTOR	10KOHM,5%,1/16W			R81W	2007-000090	CHIP RESISTOR	10KOHM,5%,1/16W	
	R57	2007-000094	CHIP RESISTOR	22KOHM,5%,1/16W			R82C	2007-000082	CHIP RESISTOR	3.3KOHM,5%,1/16	

■ Electrical parts list (Main board)

Block No. 01

△	Item	Parts number	Parts name	Remarks	Area	△	Item	Parts number	Parts name	Remarks	Area
	R82FL	2007-000082	CHIP RESISTOR	3.3KOHM,5%,1/16			R92RL	2007-000076	CHIP RESISTOR	330OHM,5%,1/16W	
	R82FR	2007-000082	CHIP RESISTOR	3.3KOHM,5%,1/16			R92RR	2007-000076	CHIP RESISTOR	330OHM,5%,1/16W	
	R82RL	2007-000082	CHIP RESISTOR	3.3KOHM,5%,1/16			R92W	2007-000076	CHIP RESISTOR	330OHM,5%,1/16W	
	R82RR	2007-000082	CHIP RESISTOR	3.3KOHM,5%,1/16			R93C	2007-000076	CHIP RESISTOR	330OHM,5%,1/16W	
	R82W	2007-000082	CHIP RESISTOR	3.3KOHM,5%,1/16			R93FL	2007-000076	CHIP RESISTOR	330OHM,5%,1/16W	
	R83C	2007-000082	CHIP RESISTOR	3.3KOHM,5%,1/16			R93FR	2007-000076	CHIP RESISTOR	330OHM,5%,1/16W	
	R83FL	2007-000082	CHIP RESISTOR	3.3KOHM,5%,1/16			R93RL	2007-000076	CHIP RESISTOR	330OHM,5%,1/16W	
	R83FR	2007-000082	CHIP RESISTOR	3.3KOHM,5%,1/16			R93RR	2007-000076	CHIP RESISTOR	330OHM,5%,1/16W	
	R83RL	2007-000082	CHIP RESISTOR	3.3KOHM,5%,1/16			R93W	2007-000076	CHIP RESISTOR	330OHM,5%,1/16W	
	R83RR	2007-000082	CHIP RESISTOR	3.3KOHM,5%,1/16			R94C	2007-000076	CHIP RESISTOR	330OHM,5%,1/16W	
	R83W	2007-000082	CHIP RESISTOR	3.3KOHM,5%,1/16			R94FL	2007-000076	CHIP RESISTOR	330OHM,5%,1/16W	
	R84C	2007-000090	CHIP RESISTOR	10KOHM,5%,1/16W			R94FR	2007-000076	CHIP RESISTOR	330OHM,5%,1/16W	
	R84FL	2007-000090	CHIP RESISTOR	10KOHM,5%,1/16W			R94RL	2007-000076	CHIP RESISTOR	330OHM,5%,1/16W	
	R84FR	2007-000090	CHIP RESISTOR	10KOHM,5%,1/16W			R94RR	2007-000076	CHIP RESISTOR	330OHM,5%,1/16W	
	R84RL	2007-000090	CHIP RESISTOR	10KOHM,5%,1/16W			R94W	2007-000076	CHIP RESISTOR	330OHM,5%,1/16W	
	R84RR	2007-000090	CHIP RESISTOR	10KOHM,5%,1/16W			R95C	2007-000076	CHIP RESISTOR	330OHM,5%,1/16W	
	R84W	2007-000129	CHIP RESISTOR	27KOHM,5%,1/16W			R95FL	2007-000076	CHIP RESISTOR	330OHM,5%,1/16W	
	R85C	2007-000075	CHIP RESISTOR	220OHM,5%,1/16W			R95FR	2007-000076	CHIP RESISTOR	330OHM,5%,1/16W	
	R85FL	2007-000075	CHIP RESISTOR	220OHM,5%,1/16W			R95RL	2007-000076	CHIP RESISTOR	330OHM,5%,1/16W	
	R85FR	2007-000075	CHIP RESISTOR	220OHM,5%,1/16W			R95RR	2007-000076	CHIP RESISTOR	330OHM,5%,1/16W	
	R85RL	2007-000075	CHIP RESISTOR	220OHM,5%,1/16W			R95W	2007-000076	CHIP RESISTOR	330OHM,5%,1/16W	
	R85RR	2007-000075	CHIP RESISTOR	220OHM,5%,1/16W			R96C	2007-000076	CHIP RESISTOR	330OHM,5%,1/16W	
	R85W	2007-000075	CHIP RESISTOR	220OHM,5%,1/16W			R96FL	2007-000076	CHIP RESISTOR	330OHM,5%,1/16W	
	R86C	2007-000077	CHIP RESISTOR	470OHM,5%,1/16W			R96FR	2007-000076	CHIP RESISTOR	330OHM,5%,1/16W	
	R86FL	2007-000077	CHIP RESISTOR	470OHM,5%,1/16W			R96RL	2007-000076	CHIP RESISTOR	330OHM,5%,1/16W	
	R86FR	2007-000077	CHIP RESISTOR	470OHM,5%,1/16W			R96RR	2007-000076	CHIP RESISTOR	330OHM,5%,1/16W	
	R86RL	2007-000077	CHIP RESISTOR	470OHM,5%,1/16W			R96W	2007-000076	CHIP RESISTOR	330OHM,5%,1/16W	
	R86RR	2007-000077	CHIP RESISTOR	470OHM,5%,1/16W			R97C	2007-008317	CHIP RESISTOR	0.15OHM,5%,1W	
	R86W	2007-000077	CHIP RESISTOR	470OHM,5%,1/16W			R97FL	2007-008317	CHIP RESISTOR	0.15OHM,5%,1W	
	R87C	2007-000086	CHIP RESISTOR	5.6KOHM,5%,1/16			R97FR	2007-008317	CHIP RESISTOR	0.15OHM,5%,1W	
	R87FL	2007-000086	CHIP RESISTOR	5.6KOHM,5%,1/16			R97RL	2007-008317	CHIP RESISTOR	0.15OHM,5%,1W	
	R87FR	2007-000086	CHIP RESISTOR	5.6KOHM,5%,1/16			R97RR	2007-008317	CHIP RESISTOR	0.15OHM,5%,1W	
	R87RL	2007-000086	CHIP RESISTOR	5.6KOHM,5%,1/16			R97W	2009-000018	OMF RESISTOR	0.22OHM,10%,5W,	
	R87RR	2007-000086	CHIP RESISTOR	5.6KOHM,5%,1/16			R98C	2007-008317	CHIP RESISTOR	0.15OHM,5%,1W	
	R87W	2007-000086	CHIP RESISTOR	5.6KOHM,5%,1/16			R98FL	2007-008317	CHIP RESISTOR	0.15OHM,5%,1W	
	R88C	2007-000124	CHIP RESISTOR	2.2KOHM,5%,1/16			R98FR	2007-008317	CHIP RESISTOR	0.15OHM,5%,1W	
	R88FL	2007-000124	CHIP RESISTOR	2.2KOHM,5%,1/16			R98RL	2007-008317	CHIP RESISTOR	0.15OHM,5%,1W	
	R88FR	2007-000124	CHIP RESISTOR	2.2KOHM,5%,1/16			R98RR	2007-008317	CHIP RESISTOR	0.15OHM,5%,1W	
	R88RL	2007-000124	CHIP RESISTOR	2.2KOHM,5%,1/16			R98W	2009-000018	OMF RESISTOR	0.22OHM,10%,5W,	
	R88RR	2007-000124	CHIP RESISTOR	2.2KOHM,5%,1/16			R99C	2007-000310	CHIP RESISTOR	100HM,5%,1/2W	
	R88W	2007-000081	CHIP RESISTOR	2.7KOHM,5%,1/16			R99FL	2007-000310	CHIP RESISTOR	100HM,5%,1/2W	
	R89C	2007-000077	CHIP RESISTOR	470OHM,5%,1/16W			R99FR	2007-000310	CHIP RESISTOR	100HM,5%,1/2W	
	R89FL	2007-000077	CHIP RESISTOR	470OHM,5%,1/16W			R99RL	2007-000310	CHIP RESISTOR	100HM,5%,1/2W	
	R89FR	2007-000077	CHIP RESISTOR	470OHM,5%,1/16W			R99RR	2007-000310	CHIP RESISTOR	100HM,5%,1/2W	
	R89RL	2007-000077	CHIP RESISTOR	470OHM,5%,1/16W			R99W	2007-000310	CHIP RESISTOR	100HM,5%,1/2W	
	R89RR	2007-000077	CHIP RESISTOR	470OHM,5%,1/16W			ZD1	0403-000354	ZENER DIODE	UZ5.1B,5.1V,500	
	R89W	2007-000077	CHIP RESISTOR	470OHM,5%,1/16W			ZD11	0403-000382	ZENER DIODE	UZP15B,15V,1W,D	
	R9	2001-000591	CARBON RESISTOR	3.3KOHM,5%,1/8W			ZD12	0403-000382	ZENER DIODE	UZP15B,15V,1W,D	
	R90C	2007-000075	CHIP RESISTOR	220OHM,5%,1/16W			ZD13	0403-000004	ZENER DIODE	UZ12BM,12V,500	
	R90FL	2007-000075	CHIP RESISTOR	220OHM,5%,1/16W			ZD2	0403-000352	ZENER DIODE	UZ4.7BM,500MW	
	R90FR	2007-000075	CHIP RESISTOR	220OHM,5%,1/16W			ZD201	0403-001376	ZENER DIODE	UDZ3.6B,3.6-3.8	
	R90RL	2007-000075	CHIP RESISTOR	220OHM,5%,1/16W			ZD202	0403-001376	ZENER DIODE	UDZ3.6B,3.6-3.8	
	R90RR	2007-000075	CHIP RESISTOR	220OHM,5%,1/16W			ZD203	0403-001376	ZENER DIODE	UDZ3.6B,3.6-3.8	
	R90W	2007-000075	CHIP RESISTOR	220OHM,5%,1/16W			ZD204	0403-001376	ZENER DIODE	UDZ3.6B,3.6-3.8	
	R91C	2007-000076	CHIP RESISTOR	330OHM,5%,1/16W			ZD205	0401-001090	DIODE	1SS355	
	R91FL	2007-000076	CHIP RESISTOR	330OHM,5%,1/16W			ZD206	0403-001376	ZENER DIODE	UDZ3.6B,3.6-3.8	
	R91FR	2007-000076	CHIP RESISTOR	330OHM,5%,1/16W			ZD207	0403-001376	ZENER DIODE	UDZ3.6B,3.6-3.8	
	R91RL	2007-000076	CHIP RESISTOR	330OHM,5%,1/16W			ZD208	0403-001376	ZENER DIODE	UDZ3.6B,3.6-3.8	
	R91RR	2007-000076	CHIP RESISTOR	330OHM,5%,1/16W			ZD209	0403-001376	ZENER DIODE	UDZ3.6B,3.6-3.8	
	R91W	2007-000076	CHIP RESISTOR	330OHM,5%,1/16W			ZD210	0403-001376	ZENER DIODE	UDZ3.6B,3.6-3.8	
	R92C	2007-000076	CHIP RESISTOR	330OHM,5%,1/16W			ZD211	0403-001376	ZENER DIODE	UDZ3.6B,3.6-3.8	
	R92FL	2007-000076	CHIP RESISTOR	330OHM,5%,1/16W			ZD212	0403-001376	ZENER DIODE	UDZ3.6B,3.6-3.8	
	R92FR	2007-000076	CHIP RESISTOR	330OHM,5%,1/16W			ZD3	0403-000004	ZENER DIODE	UZ12BM,12V,500	

■ Electrical parts list (Main board)

Block No. 01

△	Item	Parts number	Parts name	Remarks	Area
	ZD5C	0403-001079	ZENER DIODE	UDZ3.9B,7%,200M	
	ZD5FL	0403-001079	ZENER DIODE	UDZ3.9B,7%,200M	
	ZD5FR	0403-001079	ZENER DIODE	UDZ3.9B,7%,200M	
	ZD5RL	0403-001079	ZENER DIODE	UDZ3.9B,7%,200M	
	ZD5RR	0403-001079	ZENER DIODE	UDZ3.9B,7%,200M	
	ZD5W	0403-001079	ZENER DIODE	UDZ3.9B,7%,200M	
	ZD6C	0403-001079	ZENER DIODE	UDZ3.9B,7%,200M	
	ZD6FL	0403-001079	ZENER DIODE	UDZ3.9B,7%,200M	
	ZD6FR	0403-001079	ZENER DIODE	UDZ3.9B,7%,200M	
	ZD6RL	0403-001079	ZENER DIODE	UDZ3.9B,7%,200M	
	ZD6RR	0403-001079	ZENER DIODE	UDZ3.9B,7%,200M	
	ZD6W	0403-001079	ZENER DIODE	UDZ3.9B,7%,200M	

■ Electrical parts list (DSP board)

Block No. 02

△	Item	Parts number	Parts name	Remarks	Area	△	Item	Parts number	Parts name	Remarks	Area
	CC11	2401-000407	E.CAPACITOR	10UF,20%,16V			DC24	2401-000243	E.CAPACITOR	100UF,20%,10V	
	CC12	2401-000650	E.CAPACITOR	2.2UF,20%,50V			DC25	2401-000650	E.CAPACITOR	2.2UF,20%,50V	
	CC13	2401-001238	E.CAPACITOR	4.7UF,20%,25V			DC26	2203-005005	CHIP CAPACITOR	100NF,10%,16C	
	CC14	2401-001238	E.CAPACITOR	4.7UF,20%,25V			DC27	2401-000588	E.CAPACITOR	1UF,20%,50V	
	CC15	2401-000407	E.CAPACITOR	10UF,20%,16V			DC28	2401-001502	E CAPACITOR	47UF,20%,16V	
	CC16	2401-001502	E CAPACITOR	47UF,20%,16V			DC29	2203-000257	CHIP CAPACITOR	10NF,10%,50V	
	CC17	2401-001502	E CAPACITOR	47UF,20%,16V			DC30	2203-001656	CHIP CAPACITOR	0.47NF,5%,50V,N	
	CC18	2203-001554	CHIP CAPACITOR	1.8NF,10%,50V			DC31	2401-000588	E.CAPACITOR	1UF,20%,50V	
	CC19	2203-001554	CHIP CAPACITOR	1.8NF,10%,50V			DC32	2203-005005	CHIP CAPACITOR	100NF,10%,16C	
	CC20	2203-000440	CHIP CAPACITOR	1NF,10%,50V			DC33	2401-000588	E.CAPACITOR	1UF,20%,50V	
	CC21	2203-000783	CHIP CAPACITOR	0.33NF,5%,50V,N			DC34	2203-005005	CHIP CAPACITOR	100NF,10%,16C	
	CC22	2203-000783	CHIP CAPACITOR	0.33NF,5%,50V,N			DC36	2203-005005	CHIP CAPACITOR	100NF,10%,16C	
	CC23	2203-000783	CHIP CAPACITOR	0.33NF,5%,50V,N			DC37	2203-005005	CHIP CAPACITOR	100NF,10%,16C	
	CC24	2203-000531	CHIP CAPACITOR	2.7NF,10%,50V			DC38	2203-000257	CHIP CAPACITOR	10NF,10%,50V	
	CC27	2203-000531	CHIP CAPACITOR	2.7NF,10%,50V			DC39	2203-000491	CHIP CAPACITOR	2.2NF,10%,50V	
	CIC11	1201-000163	IC	4560,SOPP,150MI			DC40	2203-005005	CHIP CAPACITOR	100NF,10%,16C	
	CIC12	1204-001465	IC	TDA7440D,28			DC41	2203-005005	CHIP CAPACITOR	100NF,10%,16C	
	CIC13	1201-000163	IC	4560,SOPP,150MI			DC42	2401-001502	E CAPACITOR	47UF,20%,16V	
	CR11	2007-000082	CHIP RESISTOR	3.3KOHM,5%,1/16			DC43	2203-000257	CHIP CAPACITOR	10NF,10%,50V	
	CR12	2007-000082	CHIP RESISTOR	3.3KOHM,5%,1/16			DC44	2203-000257	CHIP CAPACITOR	10NF,10%,50V	
	CR13	2007-000082	CHIP RESISTOR	3.3KOHM,5%,1/16			DC45	2401-001502	E CAPACITOR	47UF,20%,16V	
	CR14	2007-000082	CHIP RESISTOR	3.3KOHM,5%,1/16			DC46	2203-005005	CHIP CAPACITOR	100NF,10%,16C	
	CR15	2007-000086	CHIP RESISTOR	5.6KOHM,5%,1/16			DC48	2203-005005	CHIP CAPACITOR	100NF,10%,16C	
	CR16	2007-000078	CHIP RESISTOR	1KOHM,5%,1/16W			DC49	2203-005005	CHIP CAPACITOR	100NF,10%,16C	
	CR17	2007-000097	CHIP RESISTOR	47KOHM,5%,1/16W			DC51	2401-000588	E.CAPACITOR	1UF,20%,50V	
	CR18	2007-000084	CHIP RESISTOR	4.7KOHM,5%,1/16			DC71	2401-000588	E.CAPACITOR	1UF,20%,50V	
	CR19	2007-000120	CHIP RESISTOR	680OHM,5%,1/16W			DC72	2203-005005	CHIP CAPACITOR	100NF,10%,16C	
	CR21	2007-007361	CHIP RESISTOR	82OHM,5%,1/2W			DC73	2401-000588	E.CAPACITOR	1UF,20%,50V	
	CR30	2007-000074	CHIP RESISTOR	100OHM,5%,1/16W			DC74	2203-005005	CHIP CAPACITOR	100NF,10%,16C	
	CR31	2007-000074	CHIP RESISTOR	100OHM,5%,1/16W			DC86	2203-005005	CHIP CAPACITOR	100NF,10%,16C	
	CZD11	0403-001409	ZENER DIODE	RLZ9.1B.500MW			DC87	2203-005005	CHIP CAPACITOR	100NF,10%,16C	
	DB1	3301-000353	BEAD	BLM21A121SP			DC88	2203-005005	CHIP CAPACITOR	100NF,10%,16C	
	DB12	3301-000353	BEAD	BLM21A121SP			DC89	2203-000257	CHIP CAPACITOR	10NF,10%,50V	
	DB13	3301-000353	BEAD	BLM21A121SP			DC91	2401-000588	E.CAPACITOR	1UF,20%,50V	
	DB14	3301-000353	BEAD	BLM21A121SP			DD11	2007-000070	CHIP RESISTOR	0OHM,5%,1/16W	
	DB15	3301-000353	BEAD	BLM21A121SP			DIC11	1204-001841	IC	CS493292-CL,PLC	
	DB16	3301-000353	BEAD	BLM21A121SP			DIC12	0801-002564	IC	74VHCT244A,BUFF	
	DB18	3301-000353	BEAD	BLM21A121SP			DIC13	0802-001007	IC	74LCX244,BUFFER	
	DB19	3301-000353	BEAD	BLM21A121SP			DIC14	1001-001170	IC	CS8415A-CZ	
	DB20	2007-000077	CHIP RESISTOR	470OHM,5%,1/16W			DIC15	1204-001842	IC	CS4228A-KS,28P	
	DB22	3301-000353	BEAD	BLM21A121SP			DIC16	0801-002639	IC	74VHC574,20P	
	DB23	3301-000353	BEAD	BLM21A121SP			DIC17	0801-002639	IC	74VHC574,20P	
	DB24	3301-000353	BEAD	BLM21A121SP			DIC21	1103-001181	IC	27L010,32P	
	DB25	3301-000353	BEAD	BLM21A121SP			DQ13	0501-000314	TRANSISTOR	KSA812,PNP	
	DB26	3301-000353	BEAD	BLM21A121SP			DR12	2007-000113	CHIP RESISTOR	33OHM,5%,1/16W	
	DB27	3301-000353	BEAD	BLM21A121SP			DR13	2007-000113	CHIP RESISTOR	33OHM,5%,1/16W	
	DB28	3301-000353	BEAD	BLM21A121SP			DR14	2007-000113	CHIP RESISTOR	33OHM,5%,1/16W	
	DB29	3301-000353	BEAD	BLM21A121SP			DR15	2007-000113	CHIP RESISTOR	33OHM,5%,1/16W	
	DB30	3301-000353	BEAD	BLM21A121SP			DR16	2007-000084	CHIP RESISTOR	4.7KOHM,5%,1/16	
	DC11	2203-005005	CHIP CAPACITOR	100NF,10%,16C			DR17	2007-000084	CHIP RESISTOR	4.7KOHM,5%,1/16	
	DC12	2401-000407	E.CAPACITOR	10UF,20%,16V			DR18	2007-000090	CHIP RESISTOR	10KOHM,5%,1/16W	
	DC13	2203-005005	CHIP CAPACITOR	100NF,10%,16C			DR19	2007-000134	CHIP RESISTOR	33KOHM,5%,1/16W	
	DC133	2203-005005	CHIP CAPACITOR	100NF,10%,16C			DR21	2007-000084	CHIP RESISTOR	4.7KOHM,5%,1/16	
	DC14	2203-005005	CHIP CAPACITOR	100NF,10%,16C			DR22	2007-000090	CHIP RESISTOR	10KOHM,5%,1/16W	
	DC15	2203-005005	CHIP CAPACITOR	100NF,10%,16C			DR23	2007-000090	CHIP RESISTOR	10KOHM,5%,1/16W	
	DC16	2401-000407	E.CAPACITOR	10UF,20%,16V			DR24	2007-000090	CHIP RESISTOR	10KOHM,5%,1/16W	
	DC17	2203-005005	CHIP CAPACITOR	100NF,10%,16C			DR25	2007-000090	CHIP RESISTOR	10KOHM,5%,1/16W	
	DC18	2203-005005	CHIP CAPACITOR	100NF,10%,16C			DR26	2007-000090	CHIP RESISTOR	10KOHM,5%,1/16W	
	DC19	2203-005005	CHIP CAPACITOR	100NF,10%,16C			DR27	2007-000090	CHIP RESISTOR	10KOHM,5%,1/16W	
	DC20	2401-000588	E.CAPACITOR	1UF,20%,50V			DR28	2007-000090	CHIP RESISTOR	10KOHM,5%,1/16W	
	DC21	2401-000588	E.CAPACITOR	1UF,20%,50V			DR29	2007-000090	CHIP RESISTOR	10KOHM,5%,1/16W	
	DC22	2203-005005	CHIP CAPACITOR	100NF,10%,16C			DR30	2007-000090	CHIP RESISTOR	10KOHM,5%,1/16W	
	DC23	2203-005005	CHIP CAPACITOR	100NF,10%,16C			DR32	2007-000084	CHIP RESISTOR	4.7KOHM,5%,1/16	

■ Electrical parts list (DSP board)

Block No. 02

△	Item	Parts number	Parts name	Remarks	Area
	DR33	2007-000113	CHIP RESISTOR	330HM,5%,1/16W	
	DR34	2007-000082	CHIP RESISTOR	3.3KOHM,5%,1/16	
	DR36	2007-000090	CHIP RESISTOR	10KOHM,5%,1/16W	
	DR37	2007-000074	CHIP RESISTOR	100OHM,5%,1/16W	
	DR38	2007-000097	CHIP RESISTOR	47KOHM,5%,1/16W	
	DR39	2007-000124	CHIP RESISTOR	2.2KOHM,5%,1/16	
	DR40	2007-000309	CHIP RESISTOR	10OHM,5%,1/16W	
	DR41	2007-000074	CHIP RESISTOR	100OHM,5%,1/16W	
	DR42	2007-000113	CHIP RESISTOR	330HM,5%,1/16W	
	DR43	2007-000078	CHIP RESISTOR	1KOHM,5%,1/16W	
	DR44	2007-000078	CHIP RESISTOR	1KOHM,5%,1/16W	
	DR45	2007-000078	CHIP RESISTOR	1KOHM,5%,1/16W	
	DR46	2007-000078	CHIP RESISTOR	1KOHM,5%,1/16W	
	DR47	2007-000078	CHIP RESISTOR	1KOHM,5%,1/16W	
	DR501	2007-000090	CHIP RESISTOR	10KOHM,5%,1/16W	
	DR51	2007-000078	CHIP RESISTOR	1KOHM,5%,1/16W	
	DR52	2007-000074	CHIP RESISTOR	100OHM,5%,1/16W	
	DR61	2007-001167	CHIP RESISTOR	75OHM,5%,1/16W	
	DR62	2007-002425	CHIP RESISTOR	10HM,5%,1/16W	
	DR71	2007-000074	CHIP RESISTOR	100OHM,5%,1/16W	
	DW10	3710-001422	CONNECTOR	12P,2MM,ANGLE	
	DW11	3711-000426	CONNECTOR	3WALL,15P,2MM,S	
	DW12	3711-000426	CONNECTOR	3WALL,15P,2MM,S	
	DW13	3710-001422	CONNECTOR	12P,2MM,ANGLE	
	DW14	3710-001422	CONNECTOR	12P,2MM,ANGLE	
	DW15	3710-001421	CONNECTOR	14P,2MM,ANGLE	
	DW20	3708-000178	CONNECTOR	16P,1.25MM,ANGL	
	DW22	3708-001094	CONNECTOR	13P,1.25MM,STT	
	DW23	3710-001422	CONNECTOR	12P,2MM,ANGLE	
	DW31	3710-001734	CONNECTOR	15P,2MM,STT	
	DW32	3710-001734	CONNECTOR	15P,2MM,STT	
	DX11	2804-001446	OSCILLATOR	12.288MHZ,25PPM	
	FC1	2401-001889	E.CAPACITOR	100NF,20%,50V	
	FC10	2401-000407	E.CAPACITOR	10UF,20%,16V	
	FC11	2401-000407	E.CAPACITOR	10UF,20%,16V	
	FC12	2401-000407	E.CAPACITOR	10UF,20%,16V	
	FC13	2401-000407	E.CAPACITOR	10UF,20%,16V	
	FC14L	2401-000650	E.CAPACITOR	2.2UF,20%,50V	
	FC14R	2401-000650	E.CAPACITOR	2.2UF,20%,50V	
	FC15	2401-001502	E.CAPACITOR	47UF,20%,16V	
	FC16	2401-000407	E.CAPACITOR	10UF,20%,16V	
	FC17L	2401-001238	E.CAPACITOR	4.7UF,20%,25V	
	FC17R	2401-001238	E.CAPACITOR	4.7UF,20%,25V	
	FC18	2401-000407	E.CAPACITOR	10UF,20%,16V	
	FC19L	2401-000650	E.CAPACITOR	2.2UF,20%,50V	
	FC19R	2401-000650	E.CAPACITOR	2.2UF,20%,50V	
	FC2	2401-001889	E.CAPACITOR	100NF,20%,50V	
	FC20L	2401-000650	E.CAPACITOR	2.2UF,20%,50V	
	FC20R	2401-000650	E.CAPACITOR	2.2UF,20%,50V	
	FC23	2401-000650	E.CAPACITOR	2.2UF,20%,50V	
	FC24	2401-000650	E.CAPACITOR	2.2UF,20%,50V	
	FC25	2401-000650	E.CAPACITOR	2.2UF,20%,50V	
	FC26	2401-000650	E.CAPACITOR	2.2UF,20%,50V	
	FC27	2401-001502	E.CAPACITOR	47UF,20%,16V	
	FC28	2401-001502	E.CAPACITOR	47UF,20%,16V	
	FC3	2401-001324	E.CAPACITOR	470NF,20%,50V	
	FC41	2203-000888	CHIP CAPACITOR	4.7NF,10%,50V	
	FC42	2203-000604	CHIP CAPACITOR	22NF,10%,25V	
	FC43L	2203-000440	CHIP CAPACITOR	1NF,10%,50V	
	FC43R	2203-000440	CHIP CAPACITOR	1NF,10%,50V	
	FC44L	2203-001554	CHIP CAPACITOR	1.8NF,10%,50V	
	FC44R	2203-001554	CHIP CAPACITOR	1.8NF,10%,50V	
	FC45L	2203-001554	CHIP CAPACITOR	1.8NF,10%,50V	

△	Item	Parts number	Parts name	Remarks	Area
	FC45R	2203-001554	CHIP CAPACITOR	1.8NF,10%,50V	
	FC46L	2203-000783	CHIP CAPACITOR	0.33NF,5%,50V,N	
	FC46R	2203-000783	CHIP CAPACITOR	0.33NF,5%,50V,N	
	FC47L	2203-001554	CHIP CAPACITOR	1.8NF,10%,50V	
	FC47R	2203-001554	CHIP CAPACITOR	1.8NF,10%,50V	
	FC48L	2203-001554	CHIP CAPACITOR	1.8NF,10%,50V	
	FC48R	2203-001554	CHIP CAPACITOR	1.8NF,10%,50V	
	FC49L	2203-000783	CHIP CAPACITOR	0.33NF,5%,50V,N	
	FC49R	2203-000783	CHIP CAPACITOR	0.33NF,5%,50V,N	
	FC50L	2203-000440	CHIP CAPACITOR	1NF,10%,50V	
	FC50R	2203-000440	CHIP CAPACITOR	1NF,10%,50V	
	FC51L	2203-000491	CHIP CAPACITOR	2.2NF,10%,50V	
	FC51R	2203-000491	CHIP CAPACITOR	2.2NF,10%,50V	
	FC52L	2203-000236	CHIP CAPACITOR	100PF,5%,50V,NP	
	FC52R	2203-000236	CHIP CAPACITOR	100PF,5%,50V,NP	
	FC53L	2203-000236	CHIP CAPACITOR	100PF,5%,50V,NP	
	FC53R	2203-000236	CHIP CAPACITOR	100PF,5%,50V,NP	
	FC55L	2203-000783	CHIP CAPACITOR	0.33NF,5%,50V,N	
	FC55R	2203-000783	CHIP CAPACITOR	0.33NF,5%,50V,N	
	FC56	2203-001034	CHIP CAPACITOR	5.6NF,10%,50V	
	FC57	2203-001034	CHIP CAPACITOR	5.6NF,10%,50V	
	FC58L	2203-000531	CHIP CAPACITOR	2.7NF,10%,50V	
	FC58R	2203-000531	CHIP CAPACITOR	2.7NF,10%,50V	
	FC6	2401-000407	E.CAPACITOR	10UF,20%,16V	
	FC60L	2203-000531	CHIP CAPACITOR	2.7NF,10%,50V	
	FC60R	2203-000531	CHIP CAPACITOR	2.7NF,10%,50V	
	FC7	2401-000407	E.CAPACITOR	10UF,20%,16V	
	FC71	2401-001238	E.CAPACITOR	4.7UF,20%,25V	
	FC72	2401-001238	E.CAPACITOR	4.7UF,20%,25V	
	FC73	2401-001238	E.CAPACITOR	4.7UF,20%,25V	
	FC73L	2203-000783	CHIP CAPACITOR	0.33NF,5%,50V,N	
	FC73R	2203-000783	CHIP CAPACITOR	0.33NF,5%,50V,N	
	FC74	2401-001238	E.CAPACITOR	4.7UF,20%,25V	
	FC8	2401-000407	E.CAPACITOR	10UF,20%,16V	
	FC9	2401-000407	E.CAPACITOR	10UF,20%,16V	
	FC99	2401-000588	E.CAPACITOR	1UF,20%,50V	
	FIC1	AC14-12001G	IC	KA78L05Z-TA,3P	
	FIC11	1201-000163	IC	4560,SOPP,150MI	
	FIC12	1204-001465	IC	TDA7440D,28	
	FIC2	1201-000163	IC	4560,SOPP,150MI	
	FIC4	1201-000163	IC	4560,SOPP,150MI	
	FIC5	1201-000163	IC	4560,SOPP,150MI	
	FIC6	1201-000163	IC	4560,SOPP,150MI	
	FR1	2007-000644	CHIP RESISTOR	270OHM,5%,1/2W	
	FR10	2007-000101	CHIP RESISTOR	82KOHM,5%,1/16W	
	FR11	2007-000075	CHIP RESISTOR	220OHM,5%,1/16W	
	FR12L	2007-000082	CHIP RESISTOR	3.3KOHM,5%,1/16	
	FR12R	2007-000082	CHIP RESISTOR	3.3KOHM,5%,1/16	
	FR13L	2007-000082	CHIP RESISTOR	3.3KOHM,5%,1/16	
	FR13R	2007-000082	CHIP RESISTOR	3.3KOHM,5%,1/16	
	FR14L	2007-000082	CHIP RESISTOR	3.3KOHM,5%,1/16	
	FR14R	2007-000082	CHIP RESISTOR	3.3KOHM,5%,1/16	
	FR15L	2007-000086	CHIP RESISTOR	5.6KOHM,5%,1/16	
	FR15R	2007-000086	CHIP RESISTOR	5.6KOHM,5%,1/16	
	FR16L	2007-000082	CHIP RESISTOR	3.3KOHM,5%,1/16	
	FR16R	2007-000082	CHIP RESISTOR	3.3KOHM,5%,1/16	
	FR17L	2007-000082	CHIP RESISTOR	3.3KOHM,5%,1/16	
	FR17R	2007-000082	CHIP RESISTOR	3.3KOHM,5%,1/16	
	FR18L	2007-000082	CHIP RESISTOR	3.3KOHM,5%,1/16	
	FR18R	2007-000082	CHIP RESISTOR	3.3KOHM,5%,1/16	
	FR19L	2007-000082	CHIP RESISTOR	3.3KOHM,5%,1/16	
	FR19R	2007-000082	CHIP RESISTOR	3.3KOHM,5%,1/16	
	FR2	2007-007147	CHIP RESISTOR	680OHM,5%,1/4W	

■ Electrical parts list (DSP board)

Block No. 02

△	Item	Parts number	Parts name	Remarks	Area	△	Item	Parts number	Parts name	Remarks	Area
	FR20L	2007-000086	CHIP RESISTOR	5.6KOHM,5%,1/16			RC36R	2203-000531	CHIP CAPACITOR	2.7NF,10%,50V	
	FR20R	2007-000086	CHIP RESISTOR	5.6KOHM,5%,1/16			RC39L	2203-000531	CHIP CAPACITOR	2.7NF,10%,50V	
	FR21L	2007-000082	CHIP RESISTOR	3.3KOHM,5%,1/16			RC39R	2203-000531	CHIP CAPACITOR	2.7NF,10%,50V	
	FR21R	2007-000082	CHIP RESISTOR	3.3KOHM,5%,1/16			RC51L	2203-001554	CHIP CAPACITOR	1.8NF,10%,50V	
	FR22L	2007-000402	CHIP RESISTOR	150OHM,5%,1/16W			RC51R	2203-001554	CHIP CAPACITOR	1.8NF,10%,50V	
	FR22R	2007-000402	CHIP RESISTOR	150OHM,5%,1/16W			RIC11	1201-000163	IC	4560,SOPP,150MI	
	FR23L	2007-000402	CHIP RESISTOR	150OHM,5%,1/16W			RIC12	1204-001465	IC	TDA7440D,28	
	FR23R	2007-000402	CHIP RESISTOR	150OHM,5%,1/16W			RIC13	1201-000163	IC	4560,SOPP,150MI	
	FR24L	2007-000090	CHIP RESISTOR	10KOHM,5%,1/16W			RR11L	2007-000082	CHIP RESISTOR	3.3KOHM,5%,1/16	
	FR24R	2007-000090	CHIP RESISTOR	10KOHM,5%,1/16W			RR11R	2007-000082	CHIP RESISTOR	3.3KOHM,5%,1/16	
	FR25L	2007-000090	CHIP RESISTOR	10KOHM,5%,1/16W			RR12L	2007-000082	CHIP RESISTOR	3.3KOHM,5%,1/16	
	FR25R	2007-000090	CHIP RESISTOR	10KOHM,5%,1/16W			RR12R	2007-000082	CHIP RESISTOR	3.3KOHM,5%,1/16	
	FR26L	2007-000090	CHIP RESISTOR	10KOHM,5%,1/16W			RR13L	2007-000082	CHIP RESISTOR	3.3KOHM,5%,1/16	
	FR26R	2007-000090	CHIP RESISTOR	10KOHM,5%,1/16W			RR13R	2007-000082	CHIP RESISTOR	3.3KOHM,5%,1/16	
	FR28L	2007-000129	CHIP RESISTOR	27KOHM,5%,1/16W			RR14L	2007-000082	CHIP RESISTOR	3.3KOHM,5%,1/16	
	FR28R	2007-000129	CHIP RESISTOR	27KOHM,5%,1/16W			RR14R	2007-000082	CHIP RESISTOR	3.3KOHM,5%,1/16	
	FR31	2007-000074	CHIP RESISTOR	100OHM,5%,1/16W			RR15L	2007-000086	CHIP RESISTOR	5.6KOHM,5%,1/16	
	FR32	2007-000074	CHIP RESISTOR	100OHM,5%,1/16W			RR15R	2007-000086	CHIP RESISTOR	5.6KOHM,5%,1/16	
	FR34L	2007-000102	CHIP RESISTOR	100KOHM,5%,1/16			RR16L	2007-000078	CHIP RESISTOR	1KOHM,5%,1/16W	
	FR34R	2007-000102	CHIP RESISTOR	100KOHM,5%,1/16			RR16R	2007-000078	CHIP RESISTOR	1KOHM,5%,1/16W	
	FR35L	2007-000078	CHIP RESISTOR	1KOHM,5%,1/16W			RR17L	2007-000097	CHIP RESISTOR	47KOHM,5%,1/16W	
	FR35R	2007-000078	CHIP RESISTOR	1KOHM,5%,1/16W			RR17R	2007-000097	CHIP RESISTOR	47KOHM,5%,1/16W	
	FR36L	2007-000070	CHIP RESISTOR	0OHM,5%,1/16W			RR18L	2007-000084	CHIP RESISTOR	4.7KOHM,5%,1/16	
	FR36R	2007-000070	CHIP RESISTOR	0OHM,5%,1/16W			RR18R	2007-000084	CHIP RESISTOR	4.7KOHM,5%,1/16	
	FR4	2007-000101	CHIP RESISTOR	82KOHM,5%,1/16W			RR19L	2007-000120	CHIP RESISTOR	680OHM,5%,1/16W	
	FR5	2007-000098	CHIP RESISTOR	56KOHM,5%,1/16W			RR19R	2007-000120	CHIP RESISTOR	680OHM,5%,1/16W	
	FR51L	2007-000078	CHIP RESISTOR	1KOHM,5%,1/16W			RR20	2007-000074	CHIP RESISTOR	100OHM,5%,1/16W	
	FR51R	2007-000078	CHIP RESISTOR	1KOHM,5%,1/16W			RR21	2007-000074	CHIP RESISTOR	100OHM,5%,1/16W	
	FR52L	2007-000097	CHIP RESISTOR	47KOHM,5%,1/16W			RR25L	2007-000078	CHIP RESISTOR	1KOHM,5%,1/16W	
	FR52R	2007-000097	CHIP RESISTOR	47KOHM,5%,1/16W			RR25R	2007-000078	CHIP RESISTOR	1KOHM,5%,1/16W	
	FR53L	2007-000084	CHIP RESISTOR	4.7KOHM,5%,1/16			SC11	2401-000407	E.CAPACITOR	10UF,20%,16V	
	FR53R	2007-000084	CHIP RESISTOR	4.7KOHM,5%,1/16			SC12	2401-001238	E.CAPACITOR	4.7UF,20%,25V	
	FR54L	2007-000123	CHIP RESISTOR	1.5KOHM,5%,1/16			SC13	2401-001238	E.CAPACITOR	4.7UF,20%,25V	
	FR54R	2007-000123	CHIP RESISTOR	1.5KOHM,5%,1/16			SC14	2401-001238	E.CAPACITOR	4.7UF,20%,25V	
	FR6	2007-000098	CHIP RESISTOR	56KOHM,5%,1/16W			SC18	2203-005221	CHIP CAPACITOR	15NF,10%,50V,	
	FR7	2007-000129	CHIP RESISTOR	27KOHM,5%,1/16W			SC19	2203-001389	CHIP CAPACITOR	12NF,10%,50V	
	FZD1	0403-001387	ZENER DIODE	UDZS5.1B,4.89-5			SC20	2203-001211	CHIP CAPACITOR	8.2NF,10%,50V	
	NC11	2401-001502	E CAPACITOR	47UF,20%,16V			SC22	2203-000783	CHIP CAPACITOR	0.33NF,5%,50V,N	
	NW11	3711-000820	CONNECTOR	BOX,2P,2.5MM,ST			SC23	2203-000604	CHIP CAPACITOR	22NF,10%,25V	
	ODR11	2007-000070	CHIP RESISTOR	0OHM,5%,1/16W			SR11	2007-000094	CHIP RESISTOR	22KOHM,5%,1/16W	
	ODR20	2007-000090	CHIP RESISTOR	10KOHM,5%,1/16W			SR12	2007-000094	CHIP RESISTOR	22KOHM,5%,1/16W	
	ODR31	2007-000090	CHIP RESISTOR	10KOHM,5%,1/16W			SR13	2007-000094	CHIP RESISTOR	22KOHM,5%,1/16W	
	RC11	2401-000407	E.CAPACITOR	10UF,20%,16V			SR14	2007-000082	CHIP RESISTOR	3.3KOHM,5%,1/16	
	RC12	2401-000407	E.CAPACITOR	10UF,20%,16V			SR15	2007-000086	CHIP RESISTOR	5.6KOHM,5%,1/16	
	RC13	2401-000650	E.CAPACITOR	2.2UF,20%,50V			SR16	2007-000075	CHIP RESISTOR	220OHM,5%,1/16W	
	RC14	2401-000650	E.CAPACITOR	2.2UF,20%,50V			SR17	2007-000097	CHIP RESISTOR	47KOHM,5%,1/16W	
	RC15	2401-001238	E.CAPACITOR	4.7UF,20%,25V			SR18	2007-000084	CHIP RESISTOR	4.7KOHM,5%,1/16	
	RC16	2401-001238	E.CAPACITOR	4.7UF,20%,25V			SR19	2007-000074	CHIP RESISTOR	100OHM,5%,1/16W	
	RC17	2401-000407	E.CAPACITOR	10UF,20%,16V			UC1	2409-000123	C-EDL	47000UF,4UA,5.5	
	RC18	2401-001502	E CAPACITOR	47UF,20%,16V			UC101	2401-000243	E.CAPACITOR	100UF,20%,10V	
	RC19	2401-001889	E.CAPACITOR	100NF,20%,50V			UC2	2401-001238	E.CAPACITOR	4.7UF,20%,25V	
	RC20	2401-001889	E.CAPACITOR	100NF,20%,50V			UC3	2401-000752	E.CAPACITOR	220NF,20%,50V	
	RC31L	2203-001554	CHIP CAPACITOR	1.8NF,10%,50V			UC4	2401-000243	E.CAPACITOR	100UF,20%,10V	
	RC31R	2203-001554	CHIP CAPACITOR	1.8NF,10%,50V			UC46	2203-000236	CHIP CAPACITOR	100PF,5%,50V,NP	
	RC32L	2203-000440	CHIP CAPACITOR	1NF,10%,50V			UC5	2203-000062	CHIP CAPACITOR	47NF,+80-20%,50	
	RC32R	2203-000440	CHIP CAPACITOR	1NF,10%,50V			UC6	2203-005005	CHIP CAPACITOR	100NF,10%,16C	
	RC33L	2203-000783	CHIP CAPACITOR	0.33NF,5%,50V,N			UC82	2203-000604	CHIP CAPACITOR	22NF,10%,25V,	
	RC33R	2203-000783	CHIP CAPACITOR	0.33NF,5%,50V,N			UD10	0402-000309	DIODE	1SR154-400,400V	
	RC34L	2203-000783	CHIP CAPACITOR	0.33NF,5%,50V,N			UD4	0401-001090	DIODE	1SS355	
	RC34R	2203-000783	CHIP CAPACITOR	0.33NF,5%,50V,N			UD5	0401-001090	DIODE	1SS355	
	RC35L	2203-000783	CHIP CAPACITOR	0.33NF,5%,50V,N			UD6	0402-000309	DIODE	1SR154-400,400V	
	RC35R	2203-000783	CHIP CAPACITOR	0.33NF,5%,50V,N			UD7	0401-001090	DIODE	1SS355	
	RC36L	2203-000531	CHIP CAPACITOR	2.7NF,10%,50V			UD8	0401-001090	DIODE	1SS355	

■ Electrical parts list (DSP board)

Block No. 02

△	Item	Parts number	Parts name	Remarks	Area
	UD9	0401-001090	DIODE	1SS355	
	UIC1	AH11-00049A	MICOM	HT-DL100,	
	UQ3	0501-000398	TRANSISTOR	KSC945,NPN	
	UR1	2007-000074	CHIP RESISTOR	100OHM,5%,1/16W	
	UR101	2007-000090	CHIP RESISTOR	10KOHM,5%,1/16W	
	UR102	2007-000090	CHIP RESISTOR	10KOHM,5%,1/16W	
	UR103	2007-000074	CHIP RESISTOR	100OHM,5%,1/16W	
	UR11	2007-000074	CHIP RESISTOR	100OHM,5%,1/16W	
	UR13	2007-000074	CHIP RESISTOR	100OHM,5%,1/16W	
	UR14	2007-000074	CHIP RESISTOR	100OHM,5%,1/16W	
	UR15	2007-000074	CHIP RESISTOR	100OHM,5%,1/16W	
	UR16	2007-000082	CHIP RESISTOR	3.3KOHM,5%,1/16	
	UR17	2007-000082	CHIP RESISTOR	3.3KOHM,5%,1/16	
	UR18	2007-000074	CHIP RESISTOR	100OHM,5%,1/16W	
	UR19	2007-000074	CHIP RESISTOR	100OHM,5%,1/16W	
	UR2	2007-000074	CHIP RESISTOR	100OHM,5%,1/16W	
	UR21	2007-000090	CHIP RESISTOR	10KOHM,5%,1/16W	
	UR22	2007-000090	CHIP RESISTOR	10KOHM,5%,1/16W	
	UR23	2007-000090	CHIP RESISTOR	10KOHM,5%,1/16W	
	UR24	2007-000090	CHIP RESISTOR	10KOHM,5%,1/16W	
	UR28	2007-000074	CHIP RESISTOR	100OHM,5%,1/16W	
	UR29	2007-000090	CHIP RESISTOR	10KOHM,5%,1/16W	
	UR3	2007-000074	CHIP RESISTOR	100OHM,5%,1/16W	
	UR30	2007-000090	CHIP RESISTOR	10KOHM,5%,1/16W	
	UR31	2007-000090	CHIP RESISTOR	10KOHM,5%,1/16W	
	UR32	2007-000074	CHIP RESISTOR	100OHM,5%,1/16W	
	UR33	2007-000090	CHIP RESISTOR	10KOHM,5%,1/16W	
	UR34	2007-000074	CHIP RESISTOR	100OHM,5%,1/16W	
	UR35	2007-000074	CHIP RESISTOR	100OHM,5%,1/16W	
	UR36	2007-000074	CHIP RESISTOR	100OHM,5%,1/16W	
	UR37	2007-000074	CHIP RESISTOR	100OHM,5%,1/16W	
	UR38	2007-000098	CHIP RESISTOR	56KOHM,5%,1/16W	
	UR39	2007-000074	CHIP RESISTOR	100OHM,5%,1/16W	
	UR4	2007-000078	CHIP RESISTOR	1KOHM,5%,1/16W	
	UR40	2007-000074	CHIP RESISTOR	100OHM,5%,1/16W	
	UR41	2007-000074	CHIP RESISTOR	100OHM,5%,1/16W	
	UR42	2007-000074	CHIP RESISTOR	100OHM,5%,1/16W	
	UR43	2007-000074	CHIP RESISTOR	100OHM,5%,1/16W	
	UR44	2007-000090	CHIP RESISTOR	10KOHM,5%,1/16W	
	UR45	2007-000074	CHIP RESISTOR	100OHM,5%,1/16W	
	UR46	2007-000074	CHIP RESISTOR	100OHM,5%,1/16W	
	UR47	2007-000090	CHIP RESISTOR	10KOHM,5%,1/16W	
	UR48	2007-000074	CHIP RESISTOR	100OHM,5%,1/16W	
	UR49	2007-000090	CHIP RESISTOR	10KOHM,5%,1/16W	
	UR5	2007-000078	CHIP RESISTOR	1KOHM,5%,1/16W	
	UR50	2007-000090	CHIP RESISTOR	10KOHM,5%,1/16W	
	UR51	2007-000090	CHIP RESISTOR	10KOHM,5%,1/16W	
	UR52	2007-000090	CHIP RESISTOR	10KOHM,5%,1/16W	
	UR53	2007-000074	CHIP RESISTOR	100OHM,5%,1/16W	
	UR54	2007-000074	CHIP RESISTOR	100OHM,5%,1/16W	
	UR55	2007-000074	CHIP RESISTOR	100OHM,5%,1/16W	
	UR56	2007-000074	CHIP RESISTOR	100OHM,5%,1/16W	
	UR57	2007-000074	CHIP RESISTOR	100OHM,5%,1/16W	
	UR58	2007-000074	CHIP RESISTOR	100OHM,5%,1/16W	
	UR59	2007-000074	CHIP RESISTOR	100OHM,5%,1/16W	
	UR6	2007-000074	CHIP RESISTOR	100OHM,5%,1/16W	
	UR60	2007-000090	CHIP RESISTOR	10KOHM,5%,1/16W	
	UR61	2007-000090	CHIP RESISTOR	10KOHM,5%,1/16W	
	UR62	2007-000074	CHIP RESISTOR	100OHM,5%,1/16W	
	UR63	2007-000074	CHIP RESISTOR	100OHM,5%,1/16W	
	UR64	2007-000074	CHIP RESISTOR	100OHM,5%,1/16W	
	UR65	2007-000074	CHIP RESISTOR	100OHM,5%,1/16W	
	UR66	2007-000074	CHIP RESISTOR	100OHM,5%,1/16W	

△	Item	Parts number	Parts name	Remarks	Area
	UR67	2007-000074	CHIP RESISTOR	100OHM,5%,1/16W	
	UR68	2007-000074	CHIP RESISTOR	100OHM,5%,1/16W	
	UR69	2007-000074	CHIP RESISTOR	100OHM,5%,1/16W	
	UR7	2007-000074	CHIP RESISTOR	100OHM,5%,1/16W	
	UR70	2007-000074	CHIP RESISTOR	100OHM,5%,1/16W	
	UR72	2007-000106	CHIP RESISTOR	220KOHM,5%,1/16	
	UR73	2007-000084	CHIP RESISTOR	4.7KOHM,5%,1/16	
	UR74	2007-000124	CHIP RESISTOR	2.2KOHM,5%,1/16	
	UR75	2007-000072	CHIP RESISTOR	47OHM,5%,1/16W	
	UR76	2007-000070	CHIP RESISTOR	0OHM,5%,1/16W	
	UR77	2007-000090	CHIP RESISTOR	10KOHM,5%,1/16W	
	UR78	2007-000090	CHIP RESISTOR	10KOHM,5%,1/16W	
	UR79	2007-000090	CHIP RESISTOR	10KOHM,5%,1/16W	
	UR8	2007-000078	CHIP RESISTOR	1KOHM,5%,1/16W	
	UR80	2007-000070	CHIP RESISTOR	0OHM,5%,1/16W	
	UR81	2007-000090	CHIP RESISTOR	10KOHM,5%,1/16W	
	UR83	2007-000090	CHIP RESISTOR	10KOHM,5%,1/16W	
	UR84	2007-000130	CHIP RESISTOR	39KOHM,5%,1/16W	
	UR85	2007-000090	CHIP RESISTOR	10KOHM,5%,1/16W	
	UR86	2007-000074	CHIP RESISTOR	100OHM,5%,1/16W	
	UR89	2007-000070	CHIP RESISTOR	0OHM,5%,1/16W	
	UR9	2007-000078	CHIP RESISTOR	1KOHM,5%,1/16W	
	UR90	2007-000082	CHIP RESISTOR	3.3KOHM,5%,1/16	
	UR91	2007-000082	CHIP RESISTOR	3.3KOHM,5%,1/16	
	UR95	2007-000074	CHIP RESISTOR	100OHM,5%,1/16W	
	UR96	2007-000074	CHIP RESISTOR	100OHM,5%,1/16W	
	UR97	2007-000074	CHIP RESISTOR	100OHM,5%,1/16W	
	UX2	2802-001157	RESONATOR	6MHZX5.5X3MM	
	VW11	3708-001464	CONNECTOR	24P,1MM,STT	

■ Electrical parts list (Front board)

Block No. 03

△	Item	Parts number	Parts name	Remarks	Area
	FW1	3708-000451	CONNECTOR	16P,1.25MM,ST	
	FW2	3711-000906	CONNECTOR	BOX,3P,2MM,AN	
	SW1	3404-001182	TACT SWITCH	DC12V,50MA,100G	
	SW10	3404-001182	TACT SWITCH	DC12V,50MA,100G	
	SW11	3404-001182	TACT SWITCH	DC12V,50MA,100G	
	SW2	3404-001182	TACT SWITCH	DC12V,50MA,100G	
	SW3	3404-001182	TACT SWITCH	DC12V,50MA,100G	
	SW4	3404-001182	TACT SWITCH	DC12V,50MA,100G	
	SW5	3404-001182	TACT SWITCH	DC12V,50MA,100G	
	SW6	3404-001182	TACT SWITCH	DC12V,50MA,100G	
	SW7	3404-001182	TACT SWITCH	DC12V,50MA,100G	
	SW8	3404-001182	TACT SWITCH	DC12V,50MA,100G	
	SW9	3404-001182	TACT SWITCH	DC12V,50MA,100G	
	UC1	2201-000783	C.CAPACITOR	100NF,+80%20%,5	
	UC2	2201-000783	C.CAPACITOR	100NF,+80%20%,5	
	UC3	2401-000475	E.CAPACITOR	10UF,20%,50V	
	UC4	2201-000565	C.CAPACITOR	47NF,+80% -20%	
	UC5	2201-000565	C.CAPACITOR	47NF,+80% -20%	
	UC6	2401-001912	E.CAPACITOR	1UF,20%,50V	
	UC7	2201-000783	C.CAPACITOR	100NF,+80%20%,5	
	UC80	2202-000797	C.CAPACITOR	10NF,30%,16V,Y5	
	UC9	2201-000389	C.CAPACITOR	22PF,5%,50V,NPO	
	UD1	0402-000127	DIODE	1N4002,100V	
	UD10	0402-000127	DIODE	1N4002,100V	
	UD2	0402-000127	DIODE	1N4002,100V	
	UD3	0401-000101	DIODE	1N4148,100V	
	UD4	0401-000101	DIODE	1N4148,100V	
	UEYE	AC59-60060A	REMOCON EYE	GP1U281R,38KHZ	
	UIC10	1003-001403	IC	LC75725E,QFP,64	
	ULD3	0601-001238	LED	RED,650NM,2.5MM	
	ULD4	0601-001432	LED	470NM,3MM	
	UQ1	0504-001003	TRANSISTOR	KSR2003TA,300MW	
	UQ2	0504-001003	TRANSISTOR	KSR2003TA,300MW	
	UQ3	0504-000118	TRANSISTOR	KSR1003,NPN,300	
	UR31	2001-000023	CARBON RESISTOR	47OHM,5%,1/4W	
	UR32	2001-000023	CARBON RESISTOR	47OHM,5%,1/4W	
	UR35	2001-000281	CARBON RESISTOR	100OHM,5%,1/8W	
	UR36	2001-000281	CARBON RESISTOR	100OHM,5%,1/8W	
	UR37	2001-000281	CARBON RESISTOR	100OHM,5%,1/8W	
	UR38	2001-000281	CARBON RESISTOR	100OHM,5%,1/8W	
	UR39	2001-000290	CARBON RESISTOR	10KOHM,5%,1/8W	
	UR40	2001-000734	CARBON RESISTOR	4.7KOHM,5%,1/8W	
	UR41	2001-000802	CARBON RESISTOR	5.6KOHM,5%,1/8W	
	UR42	2001-000062	CARBON RESISTOR	470OHM,5%,1/4W	
	UR43	2001-000554	CARBON RESISTOR	270OHM,5%,1/8W	
	UR44	2001-000660	CARBON RESISTOR	33KOHM,5%,1/8W	
	UR45	2001-000864	CARBON RESISTOR	56KOHM,5%,1/8W	
	UR69	2001-000429	CARBON RESISTOR	1KOHM,5%,1/8W	
	UR70	2001-000221	CARBON RESISTOR	1.2KOHM,5%,1/8W	
	UR71	2001-000241	CARBON RESISTOR	1.5KOHM,5%,1/8W	
	UR72	2001-000258	CARBON RESISTOR	1.8KOHM,5%,1/8W	
	UR73	2001-000472	CARBON RESISTOR	2.7KOHM,5%,1/8W	
	UR74	2001-000613	CARBON RESISTOR	3.9KOHM,5%,1/8W	
	UR75	2001-000802	CARBON RESISTOR	5.6KOHM,5%,1/8W	
	UR76	2001-000290	CARBON RESISTOR	10KOHM,5%,1/8W	
	UR77	2001-000411	CARBON RESISTOR	18KOHM,5%,1/8W	
	UR78	2001-000864	CARBON RESISTOR	56KOHM,5%,1/8W	
	UR80	2001-000290	CARBON RESISTOR	10KOHM,5%,1/8W	
	UZD1	0403-000369	ZENER DIODE	UZ8.2BM.500MW	
	VFD	AH07-00056A	VFD	HNV-11SS34T	

■ Electrical parts list (Jack board)

Block No. 04

△	Item	Parts number	Parts name	Remarks	Area
	JVC1	2401-001912	E.CAPACITOR	1UF,20%,50V	
	JVC10	2201-000783	C.CAPACITOR	100NF,+80%20%,5	
	JVC11	2201-000783	C.CAPACITOR	100NF,+80%20%,5	
	JVC2	2401-001102	E.CAPACITOR	330UF,20%,16V	
	JVC3	2401-001511	E.CAPACITOR	47UF,20%,16V	
	JVC4	2201-000783	C.CAPACITOR	100NF,+80%20%,5	
	JVC5	2401-001912	E.CAPACITOR	1UF,20%,50V	
	JVC6	2401-001912	E.CAPACITOR	1UF,20%,50V	
	JVC7	2401-001102	E.CAPACITOR	330UF,20%,16V	
	JVC8	2401-001102	E.CAPACITOR	330UF,20%,16V	
	JVC9	2401-001102	E.CAPACITOR	330UF,20%,16V	
	JVIC1	1001-001173	IC-RF AUDIO SWI	BA7612FSOICP	
	JVIC2	1001-001173	IC-RF AUDIO SWI	BA7612FSOICP	
	JVQ1	0504-000118	TRANSISTOR	KSR1003,NPN	
	JVQ2	0504-000118	TRANSISTOR	KSR1003,NPN	
	JVQ3	0501-000398	TRANSISTOR	KSC945,NPN	
	JVQ4	0504-001003	TRANSISTOR	KSR2003TA,300MW	
	JVQ5	0504-001003	TRANSISTOR	KSR2003TA,300MW	
	JVR1	2001-000449	CARBON RESISTOR	2.2KOHM,5%,1/8W	
	JVR10	3301-000297	BEAD	AA,3.6X1.2X5.7M	
	JVR11	2001-000290	CARBON RESISTOR	10KOHM,5%,1/8W	
	JVR12	2001-000221	CARBON RESISTOR	1.2KOHM,5%,1/8W	
	JVR13	2001-000429	CARBON RESISTOR	1KOHM,5%,1/8W	
	JVR14	2001-000429	CARBON RESISTOR	1KOHM,5%,1/8W	
	JVR15	2001-000221	CARBON RESISTOR	1.2KOHM,5%,1/8W	
	JVR16	2001-000429	CARBON RESISTOR	1KOHM,5%,1/8W	
	JVR17	2001-000969	CARBON RESISTOR	75OHM,5%,1/8W	
	JVR18	2001-000969	CARBON RESISTOR	75OHM,5%,1/8W	
	JVR19	2001-000969	CARBON RESISTOR	75OHM,5%,1/8W	
	JVR2	2001-000995	CARBON RESISTOR	820OHM,5%,1/8W	
	JVR3	2001-000449	CARBON RESISTOR	2.2KOHM,5%,1/8W	
	JVR4	2001-000780	CARBON RESISTOR	470OHM,5%,1/8W	
	JVR5	2001-000969	CARBON RESISTOR	75OHM,5%,1/8W	
	JVR6	2001-000969	CARBON RESISTOR	75OHM,5%,1/8W	
	JVR7	2001-001006	CARBON RESISTOR	820OHM,5%,1/8W	
	JVR8	2001-000221	CARBON RESISTOR	1.2KOHM,5%,1/8W	
	JVR9	2001-000429	CARBON RESISTOR	1KOHM,5%,1/8W	
	SVD1	0401-000101	DIODE	1N4148,100V	
	SVD2	0401-000101	DIODE	1N4148,100V	
	SW1	AH34-00015A	SWITCH SLIDE	KSA-2272AB,SLID	
	VR18	2001-000429	CARBON RESISTOR	1KOHM,5%,1/8W	
	VR32	2001-000273	CARBON RESISTOR	100KOHM,5%,1/8W	
	VR33	2001-000273	CARBON RESISTOR	100KOHM,5%,1/8W	
	VW1	3711-004110	CONNECTOR	12P,2MM,ST	
	VW2	3708-000347	CONNECTOR	10P,1.0MM,STT	

■ Electrical parts list (DVD Loader board)

Block No. 05

△	Item	Parts number	Parts name	Remarks	Area	△	Item	Parts number	Parts name	Remarks	Area
	CE1	2401-001975	E.CAPACITOR	47UF,20%,16V			C59	2203-000972	CHIP CAPACITOR	47NF,10%,16V,,1	
	CE10	2401-001975	E.CAPACITOR	47UF,20%,16V			C6	2203-005005	CHIP CAPACITOR	100NF,10%,16C,1	
	CE11	2401-001975	E.CAPACITOR	47UF,20%,16V			C60	2203-001126	CHIP CAPACITOR	680PF,10%,50V,1	
	CE12	2401-001895	E.CAPACITOR	100UF,20%,16V			C61	2203-001126	CHIP CAPACITOR	680PF,10%,50V,1	
	CE14	2401-001975	E.CAPACITOR	47UF,20%,16V			C62	2203-001126	CHIP CAPACITOR	680PF,10%,50V,1	
	CE15	2401-001975	E.CAPACITOR	47UF,20%,16V			C63	2203-001126	CHIP CAPACITOR	680PF,10%,50V,1	
	CE19	2401-001895	E.CAPACITOR	100UF,20%,16V			C64	2203-005005	CHIP CAPACITOR	100NF,10%,16C,1	
	CE2	2401-001975	E.CAPACITOR	47UF,20%,16V			C65	2203-000236	CHIP CAPACITOR	100PF,5%,50V,16	
	CE3	2401-001975	E.CAPACITOR	47UF,20%,16V			C66	2203-000440	CHIP CAPACITOR	1NF,10%,50V,160	
	CE4	2401-001502	E.CAPACITOR	47UF,20%,16V			C67	2203-002494	CHIP CAPACITOR	470NF,10%,16V,2	
	CE5	2401-001975	E.CAPACITOR	47UF,20%,16V			C68	2203-000236	CHIP CAPACITOR	100PF,5%,50V,16	
	CE6	2401-000778	E.CAPACITOR	220UF,20%,10V			C69	2203-002494	CHIP CAPACITOR	470NF,10%,16V,2	
	CE7	2401-001895	E.CAPACITOR	100UF,20%,16V			C7	2203-005005	CHIP CAPACITOR	100NF,10%,16C,1	
	CE8	2401-001895	E.CAPACITOR	100UF,20%,16V			C70	2203-005005	CHIP CAPACITOR	100NF,10%,16C,1	
	CE9	2401-001975	E.CAPACITOR	47UF,20%,16V			C71	2203-001103	CHIP CAPACITOR	6.8NF,10%,50V,1	
	C1	2203-005005	CHIP CAPACITOR	100NF,10%,16C,1			C72	2203-000440	CHIP CAPACITOR	1NF,10%,50V,160	
	C10	2203-005005	CHIP CAPACITOR	100NF,10%,16C,1			C73	2203-005005	CHIP CAPACITOR	100NF,10%,16C,1	
	C11	2203-005005	CHIP CAPACITOR	100NF,10%,16C,1			C74	2203-005005	CHIP CAPACITOR	100NF,10%,16C,1	
	C12	2203-000998	CHIP CAPACITOR	0.047NF,5%,50V,			C75	2203-005005	CHIP CAPACITOR	100NF,10%,16C,1	
	C13	2203-000998	CHIP CAPACITOR	0.047NF,5%,50V,			C76	2203-005005	CHIP CAPACITOR	100NF,10%,16C,1	
	C14	2203-005005	CHIP CAPACITOR	100NF,10%,16C,1			C77	2203-005005	CHIP CAPACITOR	100NF,10%,16C,1	
	C15	2203-005005	CHIP CAPACITOR	100NF,10%,16C,1			C78	2203-005005	CHIP CAPACITOR	100NF,10%,16C,1	
	C16	2203-005005	CHIP CAPACITOR	100NF,10%,16C,1			C79	2203-005005	CHIP CAPACITOR	100NF,10%,16C,1	
	C17	2203-002494	CHIP CAPACITOR	470NF,10%,16V,2			C8	2203-005005	CHIP CAPACITOR	100NF,10%,16C,1	
	C18	2203-000972	CHIP CAPACITOR	47NF,10%,50V,1			C80	2203-005005	CHIP CAPACITOR	100NF,10%,16C,1	
	C19	2203-001656	CHIP CAPACITOR	0.47NF,5%,50V,1			C81	2203-005005	CHIP CAPACITOR	100NF,10%,16C,1	
	C2	2203-005005	CHIP CAPACITOR	100NF,10%,16C,1			C82	2203-005005	CHIP CAPACITOR	100NF,10%,16C,1	
	C20	2203-001656	CHIP CAPACITOR	0.47NF,5%,50V,1			C83	2203-005005	CHIP CAPACITOR	100NF,10%,16C,1	
	C21	2203-001103	CHIP CAPACITOR	6.8NF,10%,50V,1			C84	2203-005005	CHIP CAPACITOR	100NF,10%,16C,1	
	C23	2203-000440	CHIP CAPACITOR	1NF,10%,50V,160			C85	2203-005005	CHIP CAPACITOR	100NF,10%,16C,1	
	C24	2203-000440	CHIP CAPACITOR	1NF,10%,50V,160			C86	2203-005005	CHIP CAPACITOR	100NF,10%,16C,1	
	C25	2203-000440	CHIP CAPACITOR	1NF,10%,50V,160			C87	2203-005005	CHIP CAPACITOR	100NF,10%,16C,1	
	C26	2203-001573	CHIP CAPACITOR	0.012NF,5%,50V,			C88	2203-005005	CHIP CAPACITOR	100NF,10%,16C,1	
	C27	2203-001573	CHIP CAPACITOR	0.012NF,5%,50V,			C9	2203-001573	CHIP CAPACITOR	0.012NF,5%,50V,	
	C28	2203-001573	CHIP CAPACITOR	0.012NF,5%,50V,			D1	0407-000114	DIODE	DAN202K,80V,100	
	C29	2203-001573	CHIP CAPACITOR	0.012NF,5%,50V,			D3	0407-000116	DIODE	DAP202K,80V,100	
	C3	2203-005005	CHIP CAPACITOR	100NF,10%,16C,1			J2	3711-003111	CONNECTOR	BOX,6P,1R,2.5MM	
	C30	2203-001573	CHIP CAPACITOR	0.012NF,5%,50V,			J3	3708-001645	CONNECTOR	40P,1.0MM,SMD	
	C31	2203-001573	CHIP CAPACITOR	0.012NF,5%,50V,			J4	AH39-00368A	CONNECTOR	6P,50MM,#1007,6	
	C32	2203-000998	CHIP CAPACITOR	0.047NF,5%,50V,			J5	3711-001018	CONNECTOR	BOX,5P,1R,2MM,S	
	C34	2203-001573	CHIP CAPACITOR	0.012NF,5%,50V,			L2	3301-001495	BEAD	AB,120OHM,2.0X1	
	C35	2203-001573	CHIP CAPACITOR	0.012NF,5%,50V,			L3	3301-001495	BEAD	AB,120OHM,2.0X1	
	C36	2203-005005	CHIP CAPACITOR	100NF,10%,16C,1			L4	2703-000001	INDUCTOR	10UH,10%,2.5X3.	
	C38	2203-000257	CHIP CAPACITOR	10NF,10%,50V,16			L7	2703-000001	INDUCTOR	10UH,10%,2.5X3.	
	C39	2203-005005	CHIP CAPACITOR	100NF,10%,16C,1			Q2	0504-000128	TRANSISTOR	KSR1103,NPN	
	C4	2203-000972	CHIP CAPACITOR	47NF,10%,16V,,1			Q3	0501-000632	TRANSISTOR	2SB1198K,PNP	
	C40	2203-005261	CHIP CAPACITOR	1000NF,10%,25V,			Q4	0501-000632	TRANSISTOR	2SB1197K,PNP	
	C44	2203-005005	CHIP CAPACITOR	100NF,10%,16C,1			R100	2007-000113	CHIP RESISTOR	330HM,5%,1608	
	C45	2203-005005	CHIP CAPACITOR	100NF,10%,16C,1			R101	2007-000113	CHIP RESISTOR	330HM,5%,1608	
	C46	2203-005005	CHIP CAPACITOR	100NF,10%,16C,1			R102	2007-000113	CHIP RESISTOR	330HM,5%,1608	
	C47	2203-005005	CHIP CAPACITOR	100NF,10%,16C,1			R103	2007-000072	CHI RESISTOR	470HM,5%,1608	
	C48	2203-005005	CHIP CAPACITOR	100NF,10%,16C,1			R104	2007-000113	CHIP RESISTOR	330HM,5%,1608	
	C49	2203-005005	CHIP CAPACITOR	100NF,10%,16C,1			R105	2007-000072	CHI RESISTOR	470HM,5%,1608	
	C5	2203-005005	CHIP CAPACITOR	100NF,10%,16C,1			R106	2007-000113	CHIP RESISTOR	330HM,5%,1608	
	C50	2203-005005	CHIP CAPACITOR	100NF,10%,16C,1			R107	2007-000072	CHI RESISTOR	470HM,5%,1608	
	C51	2203-005005	CHIP CAPACITOR	100NF,10%,16C,1			R108	2007-000113	CHIP RESISTOR	330HM,5%,1608	
	C52	2203-005005	CHIP CAPACITOR	100NF,10%,16C,1			R109	2007-000113	CHIP RESISTOR	330HM,5%,1608	
	C53	2203-005005	CHIP CAPACITOR	100NF,10%,16C,1			R11	2007-000124	CHIP RESISTOR	2.2KOHM,5%,1608	
	C54	2203-001126	CHIP CAPACITOR	680PF,10%,50V,1			R110	2007-000113	CHIP RESISTOR	330HM,5%,1608	
	C55	2203-005005	CHIP CAPACITOR	100NF,10%,16C,1			R111	2007-000072	CHI RESISTOR	470HM,5%,1608	
	C56	2203-001628	CHIP CAPACITOR	0.03NF,5%,50V,1			R115	2007-000070	CHI RESISTOR	00HM,5%,1608	
	C57	2203-001628	CHIP CAPACITOR	0.03NF,5%,50V,1			R116	2007-000094	CHIP RESISTOR	22KOHM,5%,1608	
	C58	2203-001628	CHIP CAPACITOR	0.03NF,5%,50V,1			R117	2007-000075	CHI RESISTOR	220HM,5%,1608	

■ Electrical parts list (DVD Loader board)

Block No. 05

△	Item	Parts number	Parts name	Remarks	Area	△	Item	Parts number	Parts name	Remarks	Area
	R118	2007-000084	CHIP RESISTOR	4.7KOHM,5%,1608			R35	2007-000113	CHIP RESISTOR	33OHM,5%,1608	
	R119	2007-000084	CHIP RESISTOR	4.7KOHM,5%,1608			R36	2007-000113	CHIP RESISTOR	33OHM,5%,1608	
	R12	2007-000113	CHIP RESISTOR	33OHM,5%,1608			R38	2007-000113	CHIP RESISTOR	33OHM,5%,1608	
	R120	2007-000082	CHI RESISTOR	3.3KOHM,5%,1608			R39	2007-000113	CHIP RESISTOR	33OHM,5%,1608	
	R121	2007-000094	CHIP RESISTOR	22KOHM,5%,1608			R4	2007-000084	CHIP RESISTOR	4.7KOHM,5%,1608	
	R122	2007-000090	CHIP RESISTOR	10KOHM,5%,1608			R45	2007-000078	CHI RESISTOR	1KOHM,5%,1608	
	R123	2007-000094	CHIP RESISTOR	22KOHM,5%,1608			R46	2007-000074	CHI RESISTOR	100OHM,5%,1608	
	R124	2007-000070	CHI RESISTOR	0OHM,5%,1608			R47	2007-000078	CHI RESISTOR	1KOHM,5%,1608	
	R125	2007-000090	CHIP RESISTOR	10KOHM,5%,1608			R48	2007-000090	CHIP RESISTOR	10KOHM,5%,1608	
	R126	2007-000094	CHIP RESISTOR	22KOHM,5%,1608			R49	2007-000094	CHIP RESISTOR	22KOHM,5%,1608	
	R127	2007-000090	CHIP RESISTOR	10KOHM,5%,1608			R5	2007-000090	CHIP RESISTOR	10KOHM,5%,1608	
	R128	2007-000094	CHIP RESISTOR	22KOHM,5%,1608			R50	2007-000084	CHIP RESISTOR	4.7KOHM,5%,1608	
	R129	2007-000090	CHIP RESISTOR	10KOHM,5%,1608			R52	2007-000109	CHIP RESISTOR	1MOHM,5%,1608	
	R13	2007-000113	CHIP RESISTOR	33OHM,5%,1608			R53	2007-000070	CHI RESISTOR	0OHM,5%,1608	
	R131	2007-000070	CHI RESISTOR	0OHM,5%,1608			R54	2007-000070	CHI RESISTOR	0OHM,5%,1608	
	R132	2007-001179	CHIP RESISTOR	8.2KOHM,5%,1608			R56	2007-000090	CHIP RESISTOR	10KOHM,5%,1608	
	R135	2007-000084	CHIP RESISTOR	4.7KOHM,5%,1608			R57	2007-000090	CHIP RESISTOR	10KOHM,5%,1608	
	R137	2007-000084	CHIP RESISTOR	4.7KOHM,5%,1608			R58	2007-000090	CHIP RESISTOR	10KOHM,5%,1608	
	R14	2007-000113	CHIP RESISTOR	33OHM,5%,1608			R59	2007-000090	CHIP RESISTOR	10KOHM,5%,1608	
	R142	2007-000070	CHI RESISTOR	0OHM,5%,1608			R6	2007-000124	CHIP RESISTOR	2.2KOHM,5%,1608	
	R143	2007-000090	CHIP RESISTOR	10KOHM,5%,1608			R60	2007-000090	CHIP RESISTOR	10KOHM,5%,1608	
	R145	2007-000082	CHI RESISTOR	3.3KOHM,5%,1608			R61	2007-000090	CHIP RESISTOR	10KOHM,5%,1608	
	R147	2007-000082	CHI RESISTOR	3.3KOHM,5%,1608			R62	2007-000090	CHIP RESISTOR	10KOHM,5%,1608	
	R148	2007-000070	CHI RESISTOR	0OHM,5%,1608			R63	2007-000090	CHIP RESISTOR	10KOHM,5%,1608	
	R149	2007-000109	CHIP RESISTOR	1MOHM,5%,1608			R64	2007-000090	CHIP RESISTOR	10KOHM,5%,1608	
	R15	2007-000113	CHIP RESISTOR	33OHM,5%,1608			R65	2007-000090	CHIP RESISTOR	10KOHM,5%,1608	
	R150	2007-000309	CHIP RESISTOR	10OHM,5%,1608			R66	2007-000090	CHIP RESISTOR	10KOHM,5%,1608	
	R151	2007-000090	CHIP RESISTOR	10KOHM,5%,1608			R67	2007-000090	CHIP RESISTOR	10KOHM,5%,1608	
	R152	2007-000090	CHIP RESISTOR	10KOHM,5%,1608			R68	2007-000090	CHIP RESISTOR	10KOHM,5%,1608	
	R153	2007-000078	CHI RESISTOR	1KOHM,5%,1608			R69	2007-000090	CHIP RESISTOR	10KOHM,5%,1608	
	R155	2007-002425	CHIP RESISTOR	1OHM,5%,1608			R7	2007-000078	CHI RESISTOR	1KOHM,5%,1608	
	R156	2007-002425	CHIP RESISTOR	1OHM,5%,1608			R70	2007-000090	CHIP RESISTOR	10KOHM,5%,1608	
	R157	2007-002425	CHIP RESISTOR	1OHM,5%,1608			R71	2007-000090	CHIP RESISTOR	10KOHM,5%,1608	
	R158	2007-002425	CHIP RESISTOR	1OHM,5%,1608			R72	2007-000090	CHIP RESISTOR	10KOHM,5%,1608	
	R159	2007-000102	CHIP RESISTOR	100KOHM,5%,1608			R73	2007-000090	CHIP RESISTOR	10KOHM,5%,1608	
	R16	2007-000113	CHIP RESISTOR	33OHM,5%,1608			R74	2007-000090	CHIP RESISTOR	10KOHM,5%,1608	
	R160	2007-000102	CHIP RESISTOR	100KOHM,5%,1608			R75	2007-000090	CHIP RESISTOR	10KOHM,5%,1608	
	R161	2007-000102	CHIP RESISTOR	100KOHM,5%,1608			R76	2007-000090	CHIP RESISTOR	10KOHM,5%,1608	
	R162	2007-000077	CHI RESISTOR	470OHM,5%,1608			R77	2007-000090	CHIP RESISTOR	10KOHM,5%,1608	
	R166	2007-000075	CHI RESISTOR	220OHM,5%,1608			R78	2007-000090	CHIP RESISTOR	10KOHM,5%,1608	
	R167	2007-000309	CHIP RESISTOR	10OHM,5%,1608			R79	2007-000090	CHIP RESISTOR	10KOHM,5%,1608	
	R168	2007-000078	CHI RESISTOR	1KOHM,5%,1608			R80	2007-000090	CHIP RESISTOR	10KOHM,5%,1608	
	R17	2007-000102	CHIP RESISTOR	100KOHM,5%,1608			R82	2007-000074	CHI RESISTOR	100OHM,5%,1608	
	R170	2007-000078	CHI RESISTOR	1KOHM,5%,1608			R83	2007-000074	CHI RESISTOR	100OHM,5%,1608	
	R171	2007-000078	CHI RESISTOR	1KOHM,5%,1608			R84	2007-000074	CHI RESISTOR	100OHM,5%,1608	
	R173	2007-000070	CHI RESISTOR	0OHM,5%,1608			R85	2007-000074	CHI RESISTOR	100OHM,5%,1608	
	R18	2007-000102	CHIP RESISTOR	100KOHM,5%,1608			R86	2007-000074	CHI RESISTOR	100OHM,5%,1608	
	R19	2007-000084	CHIP RESISTOR	4.7KOHM,5%,1608			R87	2007-000074	CHI RESISTOR	100OHM,5%,1608	
	R20	2007-000097	CHIP RESISTOR	47KOHM,5%,1608			R88	2007-000074	CHI RESISTOR	100OHM,5%,1608	
	R22	2007-000094	CHIP RESISTOR	22KOHM,5%,1608			R89	2007-000074	CHI RESISTOR	100OHM,5%,1608	
	R23	2007-000113	CHIP RESISTOR	33OHM,5%,1608			R90	2007-000074	CHI RESISTOR	100OHM,5%,1608	
	R24	2007-000074	CHI RESISTOR	100OHM,5%,1608			R91	2007-000074	CHI RESISTOR	100OHM,5%,1608	
	R25	2007-000090	CHIP RESISTOR	10KOHM,5%,1608			R92	2007-000074	CHI RESISTOR	100OHM,5%,1608	
	R26	2007-000082	CHI RESISTOR	3.3KOHM,5%,1608			R93	2007-000074	CHI RESISTOR	100OHM,5%,1608	
	R27	2007-000082	CHI RESISTOR	3.3KOHM,5%,1608			R94	2007-000074	CHI RESISTOR	100OHM,5%,1608	
	R28	2007-000090	CHIP RESISTOR	10KOHM,5%,1608			R95	2007-000074	CHI RESISTOR	100OHM,5%,1608	
	R29	2007-000113	CHIP RESISTOR	33OHM,5%,1608			R96	2007-000074	CHI RESISTOR	100OHM,5%,1608	
	R3	2007-000124	CHIP RESISTOR	2.2KOHM,5%,1608			R97	2007-000074	CHI RESISTOR	100OHM,5%,1608	
	R30	2007-000097	CHIP RESISTOR	47KOHM,5%,1608			R98	2007-000113	CHIP RESISTOR	33OHM,5%,1608	
	R31	2007-000070	CHI RESISTOR	0OHM,5%,1608			R99	2007-000113	CHIP RESISTOR	33OHM,5%,1608	
	R32	2007-000082	CHI RESISTOR	3.3KOHM,5%,1608			U1	1105-001372	IC	MHB416256A-35J	
	R33	2007-000084	CHIP RESISTOR	4.7KOHM,5%,1608			U10	1003-001418	IC	FAN8082,DIP,8P	
	R34	2007-000113	CHIP RESISTOR	33OHM,5%,1608			U2	1204-001871	IC	M5701,PQFP,208P	

■ Electrical parts list (DVD Loader board) Block No. 05

△	Item	Parts number	Parts name	Remarks	Area
	U3	0903-001246	IC	M6759,PLCC,44P	
	U4	1203-001369	IC	XC61CN1902MR	
	U5	1203-001293	IC	033,T0-252,3P	
	U6	1003-001305	IC	BA5983FM,HSOP,2	
	U7	1201-001790	IC	SP3721A,TQFP,64	
	U9	3708-001574	CONNECTOR	24P,1MM,ANGLE,S	
	X1	2801-003971	CRYSTAL	13.5MHZ,15PPM	
	ZD1	0403-000357	ZENER DIODE	5.6V,5.4-5.8V	

■ Electrical parts list (DVD MPEG board)

Block No. 06

△	Item	Parts number	Parts name	Remarks	Area	△	Item	Parts number	Parts name	Remarks	Area
	C100	2203-005005	CHIP CAPACITOR	100NF,10%,16C,1			L1	3301-001495	BEAD	120OHM,2.0X1.2	
	C101	2203-005005	CHIP CAPACITOR	100NF,10%,16C,1			L30	3301-000353	BEAD	BLM21A121SP	
	C102	2203-000257	CHIP CAPACITOR	10NF,10%,50V,16			L32	3301-000353	BEAD	BLM21A121SP	
	C103	2203-005005	CHIP CAPACITOR	100NF,10%,16C,1			L38	3301-001495	BEAD	120OHM,2.0X1.2	
	C104	2203-005005	CHIP CAPACITOR	100NF,10%,16C,1			L39	3301-001495	BEAD	120OHM,2.0X1.2	
	C105	2203-005005	CHIP CAPACITOR	100NF,10%,16C,1			L40	3301-000353	BEAD	BLM21A121SP	
	C106	2203-005005	CHIP CAPACITOR	100NF,10%,16C,1			L41	3301-000353	BEAD	BLM21A121SP	
	C107	2203-005005	CHIP CAPACITOR	100NF,10%,16C,1			L42	3301-000353	BEAD	BLM21A121SP	
	C28	2402-001059	E.CAPACITOR	220UF,20%,6.7V			L43	3301-000353	BEAD	BLM21A121SP	
	C29	2203-005005	CHIP CAPACITOR	100NF,10%,16C,1			L44	3301-000353	BEAD	BLM21A121SP	
	C30	2402-001059	E.CAPACITOR	220UF,20%,6.6V			L47	3301-000353	BEAD	BLM21A121SP	
	C31	2203-005005	CHIP CAPACITOR	100NF,10%,16C,1			L48	3301-000353	BEAD	BLM21A121SP	
	C32	2203-005005	CHIP CAPACITOR	100NF,10%,16C,1			L49	3301-000353	BEAD	BLM21A121SP	
	C33	2402-000179	E.CAPACITOR	47UF,20%,16V			L50	3301-001495	BEAD	120OHM,2.0X1.2	
	C36	2203-005005	CHIP CAPACITOR	100NF,10%,16C,1			L52	3301-000353	BEAD	BLM21A121SP	
	C37	2203-005005	CHIP CAPACITOR	100NF,10%,16C,1			L53	3301-000353	BEAD	BLM21A121SP	
	C38	2402-000179	E.CAPACITOR	47UF,20%,16V			L54	3301-000353	BEAD	BLM21A121SP	
	C46	2203-005005	CHIP CAPACITOR	100NF,10%,16C,1			L55	3301-001495	BEAD	120OHM,2.0X1.2	
	C48	2402-000179	E.CAPACITOR	47UF,20%,16V			L56	3301-001495	BEAD	120OHM,2.0X1.2	
	C50	2203-005005	CHIP CAPACITOR	100NF,10%,16C,1			L57	2007-000029	CHIP RESISTOR	0OHM,5%,2012	
	C51	2203-005005	CHIP CAPACITOR	100NF,10%,16C,1			OL1	3301-000353	BEAD	BLM21A121SP	
	C54	2203-005005	CHIP CAPACITOR	100NF,10%,16C,1			OL2	3301-000353	BEAD	BLM21A121SP	
	C55	2203-005005	CHIP CAPACITOR	100NF,10%,16C,1			PL1	3301-000353	BEAD	BLM21A121SP	
	C59	2203-005005	CHIP CAPACITOR	100NF,10%,16C,1			PL2	2007-000029	CHIP RESISTOR	0OHM,5%,2012	
	C61	2203-005005	CHIP CAPACITOR	100NF,10%,16C,1			PL3	3301-000325	BEAD	AB,3.2X2.5X1.3M	
	C62	2203-005005	CHIP CAPACITOR	100NF,10%,16C,1			Q3	0501-000314	TRANSISTOR	KSA812,PNP,150M	
	C64	2203-005005	CHIP CAPACITOR	100NF,10%,16C,1			Q4	0501-000314	TRANSISTOR	KSA812,PNP,150M	
	C66	2203-005005	CHIP CAPACITOR	100NF,10%,16C,1			Q5	0501-000314	TRANSISTOR	KSA812,PNP,150M	
	C67	2203-005005	CHIP CAPACITOR	100NF,10%,16C,1			Q6	0501-000314	TRANSISTOR	KSA812,PNP,150M	
	C68	2402-000179	E.CAPACITOR	47UF,20%,16V			Q7	0501-000314	TRANSISTOR	KSA812,PNP,150M	
	C69	2402-001059	E.CAPACITOR	220UF,20%,6.5V			Q8	0501-000314	TRANSISTOR	KSA812,PNP,150M	
	C70	2203-005005	CHIP CAPACITOR	100NF,10%,16C,1			R10	2007-000070	CHIP RESISTOR	0OHM,5%,1608	
	C71	2203-005005	CHIP CAPACITOR	100NF,10%,16C,1			R107	2007-000086	CHIP RESISTOR	5.6KOHM,5%,1608	
	C73	2402-001059	E.CAPACITOR	220UF,20%,6.4V			R108	2007-000084	CHIP RESISTOR	4.7KOHM,5%,1608	
	C75	2203-005005	CHIP CAPACITOR	100NF,10%,16C,1			R109	2007-000084	CHIP RESISTOR	4.7KOHM,5%,1608	
	C76	2203-005005	CHIP CAPACITOR	100NF,10%,16C,1			R110	2007-000084	CHIP RESISTOR	4.7KOHM,5%,1608	
	C77	2203-005005	CHIP CAPACITOR	100NF,10%,16C,1			R111	2007-000084	CHIP RESISTOR	4.7KOHM,5%,1608	
	C79	2203-005005	CHIP CAPACITOR	100NF,10%,16C,1			R112	2007-000084	CHIP RESISTOR	4.7KOHM,5%,1608	
	C80	2203-005005	CHIP CAPACITOR	100NF,10%,16C,1			R114	2007-000070	CHIP RESISTOR	0OHM,5%,1608	
	C82	2402-000179	E.CAPACITOR	47UF,20%,16V			R31	2007-000084	CHIP RESISTOR	4.7KOHM,5%,1608	
	C85	2402-001059	E.CAPACITOR	220UF,20%,6.3V			R32	2007-000084	CHIP RESISTOR	4.7KOHM,5%,1608	
	C86	2203-005005	CHIP CAPACITOR	100NF,10%,16C,1			R34	2007-000070	CHIP RESISTOR	0OHM,5%,1608	
	C87	2203-005005	CHIP CAPACITOR	100NF,10%,16C,1			R53	2007-000084	CHIP RESISTOR	4.7KOHM,5%,1608	
	C88	2203-005005	CHIP CAPACITOR	100NF,10%,16C,1			R55	2007-000122	CHIP RESISTOR	1.2KOHM,5%,1608	
	C89	2203-005005	CHIP CAPACITOR	100NF,10%,16C,1			R56	2007-000084	CHIP RESISTOR	4.7KOHM,5%,1608	
	C90	2203-005005	CHIP CAPACITOR	100NF,10%,16C,1			R57	2007-000113	CHIP RESISTOR	33OHM,5%,1608	
	C96	2203-000280	CHIP CAPACITOR	10PF,0.5PF,50V,			R58	2007-000113	CHIP RESISTOR	33OHM,5%,1608	
	C97	2203-000280	CHIP CAPACITOR	10PF,0.5PF,50V,			R59	2007-000113	CHIP RESISTOR	33OHM,5%,1608	
	C98	2203-005005	CHIP CAPACITOR	100NF,10%,16C,1			R6	2007-000113	CHIP RESISTOR	33OHM,5%,1608	
	C99	2203-005005	CHIP CAPACITOR	100NF,10%,16C,1			R61	2007-000071	CHIP RESISTOR	22OHM,5%,1608	
	DC1	2203-005005	CHIP CAPACITOR	100NF,10%,16C,1			R63	2007-000113	CHIP RESISTOR	33OHM,5%,1608	
	DR1	2007-000074	CHIP RESISTOR	100OHM,5%,1608			R64	2007-000113	CHIP RESISTOR	33OHM,5%,1608	
	DR2	2007-000074	CHIP RESISTOR	100OHM,5%,1608			R66	2007-000113	CHIP RESISTOR	33OHM,5%,1608	
	DR3	2007-000074	CHIP RESISTOR	100OHM,5%,1608			R68	2007-000113	CHIP RESISTOR	33OHM,5%,1608	
	DR4	2007-000074	CHIP RESISTOR	100OHM,5%,1608			R71	2007-000113	CHIP RESISTOR	33OHM,5%,1608	
	DR5	2007-000074	CHIP RESISTOR	100OHM,5%,1608			R73	2007-000113	CHIP RESISTOR	33OHM,5%,1608	
	DR6	2007-000074	CHIP RESISTOR	100OHM,5%,1608			R75	2007-000113	CHIP RESISTOR	33OHM,5%,1608	
	DR7	2007-000074	CHIP RESISTOR	100OHM,5%,1608			R78	2007-000113	CHIP RESISTOR	33OHM,5%,1608	
	DR8	2007-000074	CHIP RESISTOR	100OHM,5%,1608			R79	2007-000113	CHIP RESISTOR	33OHM,5%,1608	
	DR9	2007-000074	CHIP RESISTOR	100OHM,5%,1608			R8	2007-000113	CHIP RESISTOR	33OHM,5%,1608	
	J14	3708-001615	CONNECTOR	24P,1MM,SMD-S,S			R80	2007-000113	CHIP RESISTOR	33OHM,5%,1608	
	J21	3708-001646	CONNECTOR	10P,1.0MM,SMD			R81	2007-000113	CHIP RESISTOR	33OHM,5%,1608	
	J6	3708-001645	CONNECTOR	40P,1.0MM,SMD			R82	2007-000113	CHIP RESISTOR	33OHM,5%,1608	

■ Electrical parts list (DVD MPEG board)

Block No. 06

△	Item	Parts number	Parts name	Remarks	Area
	R83	2007-000113	CHIP RESISTOR	33OHM,5%,1608	
	R84	2007-000113	CHIP RESISTOR	33OHM,5%,1608	
	R85	2007-000113	CHIP RESISTOR	33OHM,5%,1608	
	R86	2007-000113	CHIP RESISTOR	33OHM,5%,1608	
	R88	2007-000113	CHIP RESISTOR	33OHM,5%,1608	
	R9	2007-000070	CHIP RESISTOR	0OHM,5%,1608	
	R90	2007-000113	CHIP RESISTOR	33OHM,5%,1608	
	R98	2007-000084	CHIP RESISTOR	4.7KOHM,5%,1608	
	R99	2007-000078	CHIP RESISTOR	1KOHM,5%,1608	
	U10	0802-001109	IC	74LVT575,TSS	
	U11	0802-001109	IC	74LVT574,TSS	
	U12	0802-001109	IC	74LVT573,TSS	
	U15	0801-002683	IC	74HCT245,TSSOP	
	U5	1105-001376	IC	W986432DH-7,TSO	
	U6	1107-001318	IC	SST39VF800A-70-	
	U8	1204-001863	IC	ZIVA-5,PQFP,208	
	U9	1203-002336	IC	LM1117,TO-252,3	
	VC10	2203-005005	CHIP CAPACITOR	100NF,10%,16C,1	
	VJL1	3301-000353	BEAD	BLM21A121SP	
	VL1	3301-000353	BEAD	BLM21A121SP	
	VR1	2007-000402	CHIP RESISTOR	150OHM,5%,1608	
	VR10	2007-000402	CHIP RESISTOR	150OHM,5%,1608	
	VR11	2007-000070	CHIP RESISTOR	0OHM,5%,1608	
	VR12	2007-000115	CHIP RESISTOR	82OHM,5%,1608	
	VR13	2007-000402	CHIP RESISTOR	150OHM,5%,1608	
	VR14	2007-000070	CHIP RESISTOR	0OHM,5%,1608	
	VR15	2007-000115	CHIP RESISTOR	82OHM,5%,1608	
	VR16	2007-000402	CHIP RESISTOR	150OHM,5%,1608	
	VR17	2007-000070	CHIP RESISTOR	0OHM,5%,1608	
	VR2	2007-000115	CHIP RESISTOR	82OHM,5%,1608	
	VR3	2007-000070	CHIP RESISTOR	0OHM,5%,1608	
	VR4	2007-000115	CHIP RESISTOR	82OHM,5%,1608	
	VR5	2007-000402	CHIP RESISTOR	150OHM,5%,1608	
	VR6	2007-000070	CHIP RESISTOR	0OHM,5%,1608	
	VR7	2007-000402	CHIP RESISTOR	150OHM,5%,1608	
	VR8	2007-000070	CHIP RESISTOR	0OHM,5%,1608	
	VR9	2007-000115	CHIP RESISTOR	82OHM,5%,1608	

< MEMO >

Packing materials and accessories parts list

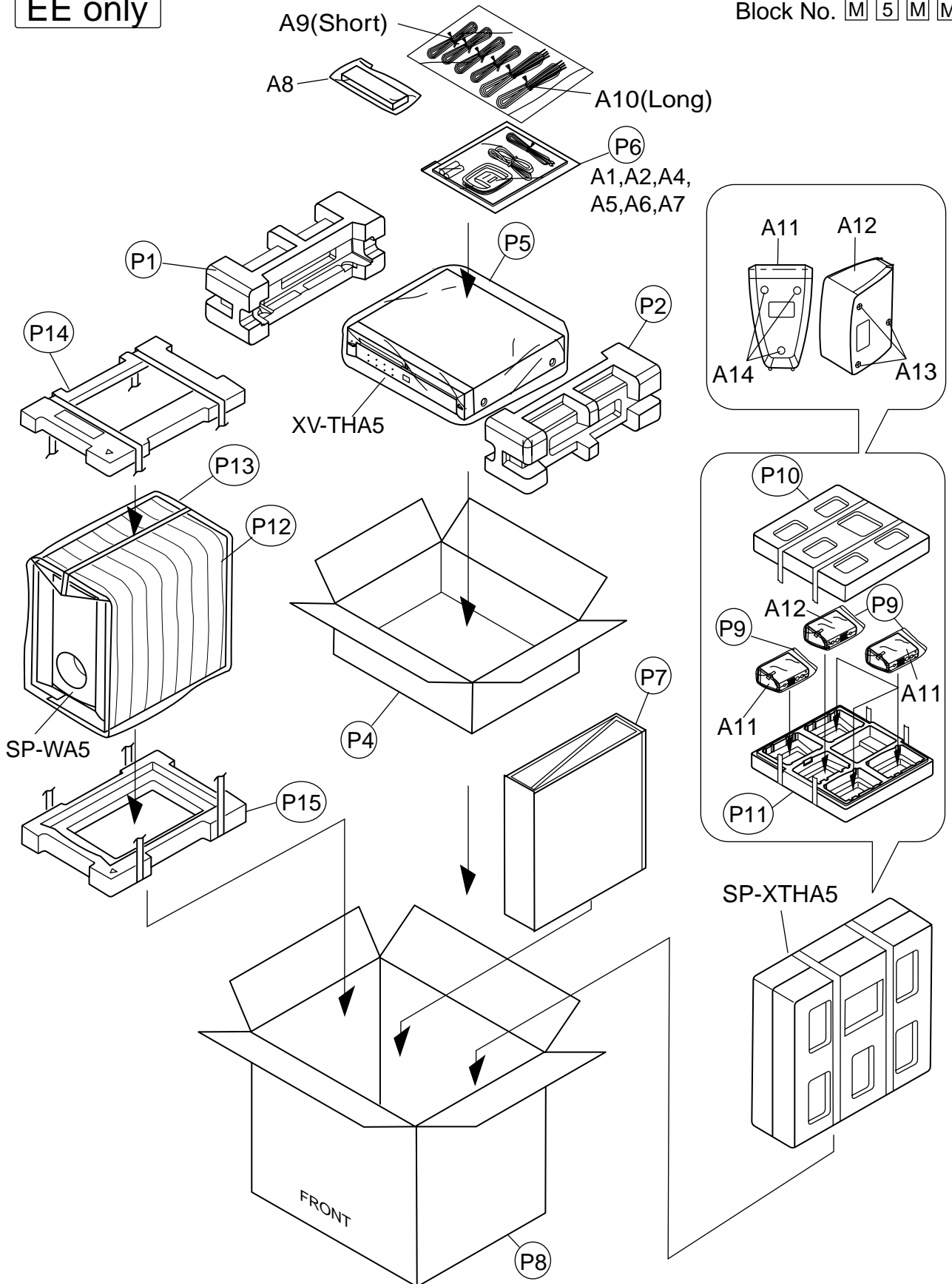
EE only

Block No.

M	3	M	M
---	---	---	---

Block No.

M	5	M	M
---	---	---	---



Packing materials and accessories parts list

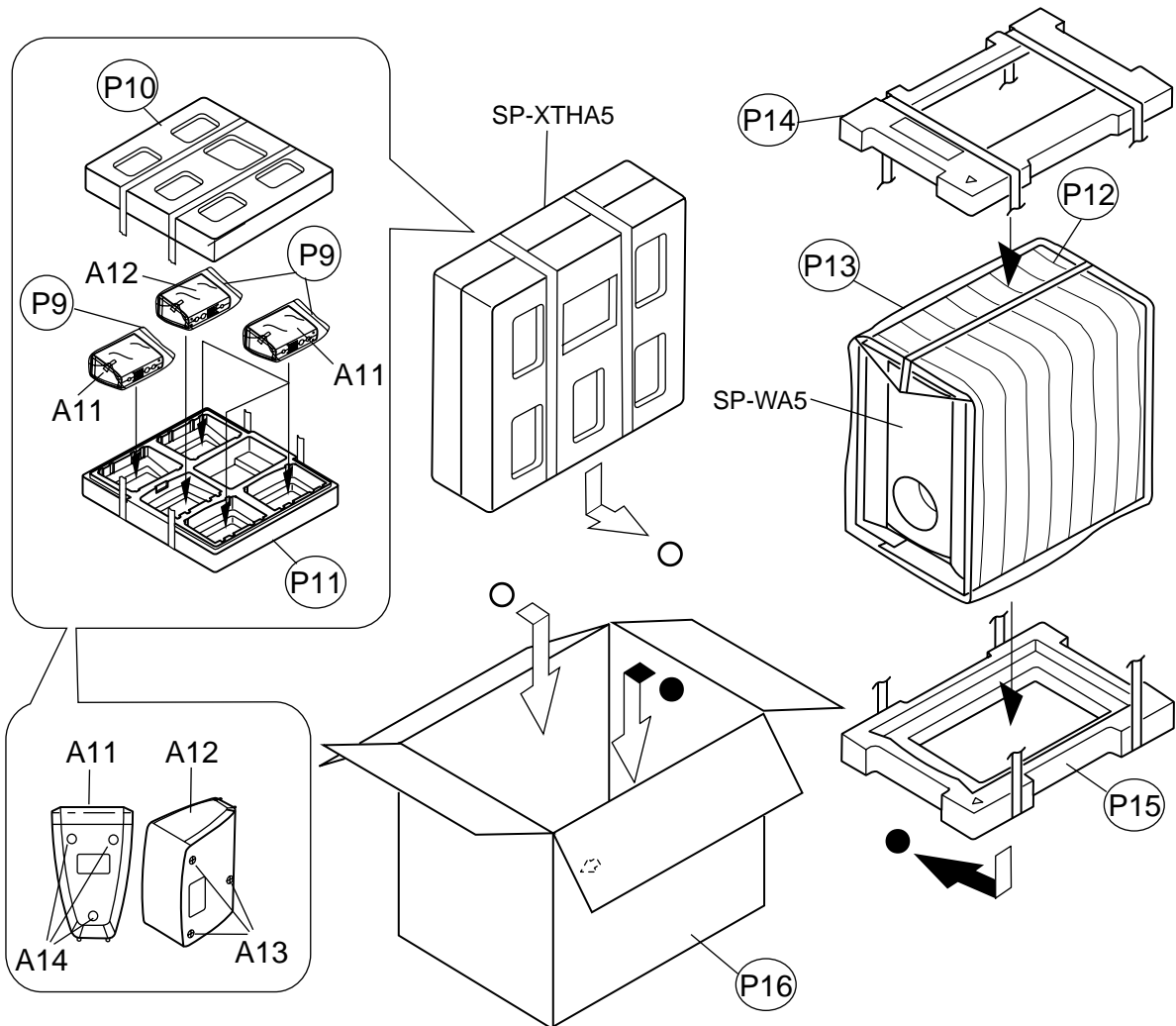
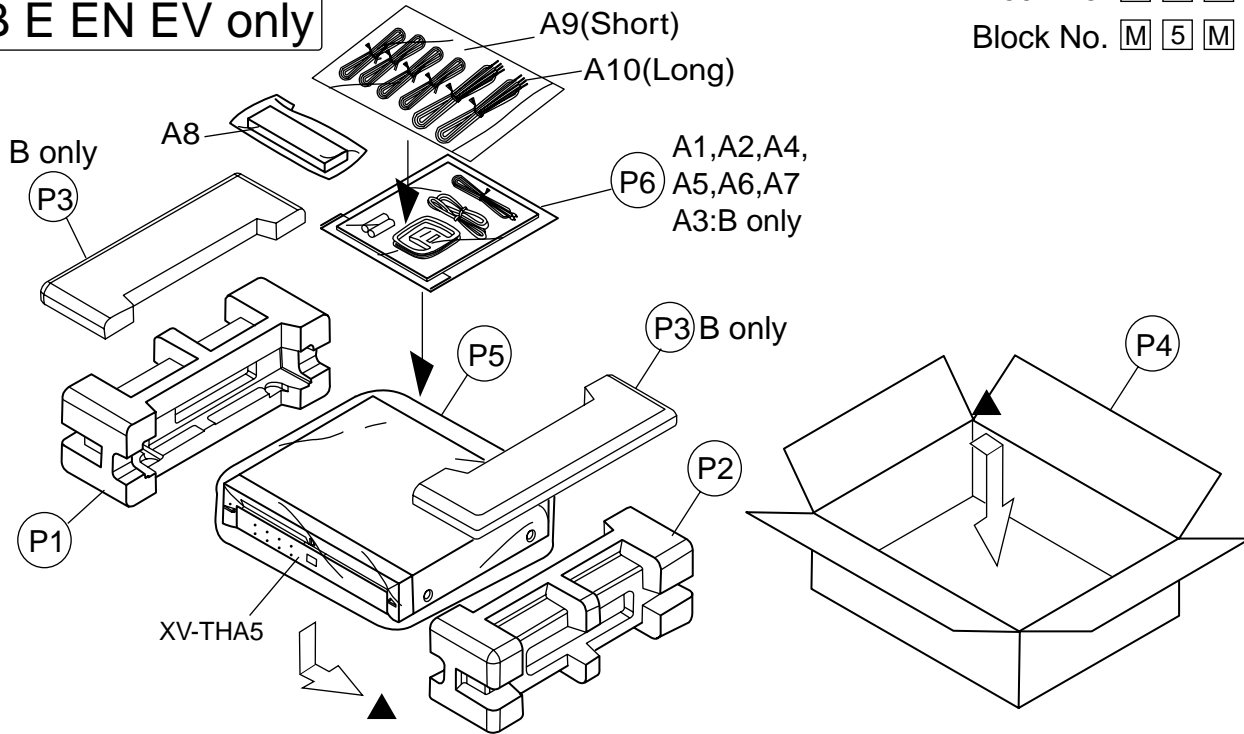
B E EN EV only

Block No.

M	3	M	M
---	---	---	---

Block No.

M	5	M	M
---	---	---	---



■ Parts list (Packing)

Block No. M3MM

△	Item	Parts number	Parts name	Q'ty	Description	Area
	P 1	AH69-00532A	CUSHION-SIDE,L	1		
	P 2	AH69-00533A	CUSHION-SIDE,R	1		
	P 3	AH69-00581A	CUSHION-PAD	2		B
	P 4	AH69-00552C	PACKING-CASE	1		E,EN,EV
		AH69-00552D	PACKING-CASE	1		B
		AH69-00552A	PACKING-CASE	1	DW-1 YEL	EE
	P 5	AH69-10081H	PE BAG-SET	1		
	P 6	AH69-00525B	PE BAG-I/B	1		
	P 7	AH69-00665A	PAD-ROLL	1		EE
	P 8	AH69-00664C	MASTER-CARTON	1		EE
	P 9	85-000-327-71	POLY BAG	5	SP-XSA5K,SP-XCA5K	
	P 10	80-000-474-01	TOP CUSHION	1	SP-XSA5K,SP-XCA5K	
	P 11	80-000-474-11	BOTTOM CUSHION	1	SP-XSA5K,SP-XCA5K	
	P 12	85-000-353-51	MIRROR MAT	1	SP-WA5	
	P 13	85-000-434-01	POLY BAG	1	SP-WA5	
	P 14	80-000-475-01	TOP CUSHION	1	SP-WA5	
	P 15	80-000-475-11	BOTTOM CUSHION	1	SP-WA5	
	P 16	83-000-447-11	CARTON	1	SPEAKER	B,E,EN,EV

■ Parts list (Accessories)

Block No. M5MM

△	Item	Parts number	Parts name	Q'ty	Description	Area
	A 1	AH68-01011E	INST.BOOK	1	GER FRE DUT	E
		AH68-01011F	INST.BOOK	1	GER FRE SPA ITA	EN
		AH68-01011F	INST.BOOK	1	SWE FIN DAN	EN
		AH68-01011K	INST.BOOK	1	RUS	EE
		AH68-01011G	INST.BOOK	1	POL HUN CZE	EV
		AH68-01011D	INST.BOOK	1	ENG	B
	A 2	AH68-00415D	GAURANTY CARD	1		B,E,EN,EE
		AH68-00415F	GAURANTY CARD	1		EV
	A 3	AH68-00415C	IMPORTANT CARD	1		B
	A 4	AH38-10001A	FM-ANT	1		
	A 5	AH42-20001P	AM-ANT	1		
	A 6	-----	BATTERY SET	1		
	A 7	AH39-40001V	RCA-CABLE	1		
	A 8	AH59-00129B	REMOCON	1		
	A 9	AH39-00375A	SPEAKER CORD	4	SHORT	
	A 10	AH39-00376A	SPEAKER CORD	2	LONG	
	A 11	SP-XSA5K	SPK.BOX	4		
	A 12	SP-XCA5K	SPK.BOX	1		
	A 13	90-000-053-01	FOOT	3	SP-XCA5K	
	A 14	90-000-053-11	FOOT	12	SP-XSA5K	